

Carl Zeiss ZM Lenses

Biogon T* 2,8/28 ZM

The Universal Traveler

This classic, wide-angle focal length with a moderate perspective complements the standard 50 mm focal length. The **Biogon T* 2,8/28 ZM** exhibits crisp detail without distortion at full apertures, even at the close-focus range. The optical construction minimizes flare, enabling photography against a strong back light without compromising image quality. This lens has the widest angle of view that can be used with the integrated viewfinder on the Zeiss Ikon rangefinder camera, an additional 15/28 mm viewfinder is available. Combined with a digital rangefinder camera with a 1.3 crop factor, the lens has an effective focal length of 36 mm ideal for reportage style photography. The **Biogon T* 2,8/28 ZM** is ideal for travel photography and is also well-suited for group and interior photographs when space is at a premium and wide-angle distortion needs to be minimized.



Biogon T* 2,8/28 ZM



We make it visible.



Photo: Gabi Budulig

- 1** Due to excellent flare control, even very bright sources of light can be integrated successfully into the picture.
- 2** The compact wide-angle design makes it easy to transport and ideal for dynamic city, landscape and architecture photography.
- 3** Offers outstanding distortion control over the entire frame.

The Universal Traveler

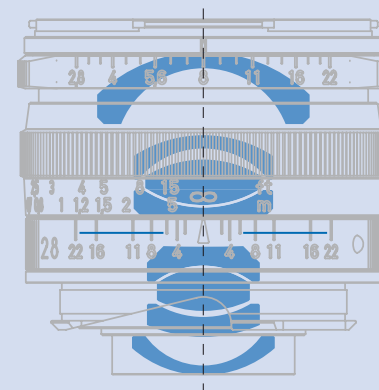
Technical Specifications

Biogon T* 2,8/28 ZM

Focal length	28 mm
Aperture range	f/2.8 – f/22 (1/3 stop intervals)
Number of elements/groups	8/6
Focusing range	0.5 m (1.6 ft) – ∞
Angular field* (diag./horiz./vert.)	75/65/46°
Coverage at close range	37 x 55 cm (15 x 22")
Image ratio at close range	1:16
Filter-thread	M 46 x 0.75
Length (with caps)	62 mm (2.4")
Diameter	53 mm (2.1")
Weight	230 g (8.1 oz.)
Camera mount	ZM (M bayonet)
Optional accessories	Lens Shade M 46 Add-on viewfinder 25/28 mm

*referring to 35 mm format

Construction



Carl Zeiss AG
Camera Lens Division
 D-73446 Oberkochen · Germany
www.zeiss.com/photo

10-20-026-e • Printed in Germany
 Subject to change.