



Bifocal - Fact Sheets Table of Contents

1.59 Polycarbonate – semi-finished

| | |
|--|--------------|
| <i>1.59 ZEISS UV Protect Polycarbonate Spherical Flat Top 28</i> | <i>1 – 3</i> |
| <i>1.59 Polycarbonate Spherical Flat Top 28</i> | <i>4 – 5</i> |

1.50 Hard Resin PhotoFusion – semi-finished

| | |
|--|---------------|
| <i>1.50 Hard Resin PhotoFusion Flat Top 28</i> | <i>6 – 8</i> |
| <i>1.50 Hard Resin PhotoFusion Flat Top 35</i> | <i>9 – 11</i> |

1.50 Hard Resin – semi-finished

| | |
|--|----------------|
| <i>1.50 Hard Resin 72mm Flat Top 28</i> | <i>12 – 14</i> |
| <i>1.50 Hard Resin 76mm Flat Top 28</i> | <i>15 – 16</i> |
| <i>1.50 Hard Resin 72mm Flat Top 35</i> | <i>17 – 18</i> |
| <i>1.50 Hard Resin 76mm Flat Top 35</i> | <i>19 – 20</i> |
| <i>1.50 Hard Resin 76mm Blended Round Seg 28</i> | <i>21 – 22</i> |
| <i>1.50 Hard Resin 76mm Round Seg 24</i> | <i>23 – 24</i> |
| <i>1.50 Hard Resin 68mm & 78mm E Line</i> | <i>25 – 26</i> |

1.50 Hard Resin – finished

| | |
|---|-----------|
| <i>1.50 Hard Resin 68mm Flat Top 28</i> | <i>27</i> |
|---|-----------|

1.50 Glass – semi-finished

| | |
|--|----------------|
| <i>1.50 White & PhotoGray Extra Glass 66mm Flat Top 28</i> | <i>28 – 29</i> |
| <i>1.50 White & PhotoGray Extra Glass 71mm Flat Top 28</i> | <i>30 – 31</i> |



Trifocal - Fact Sheets Table of Contents

1.50 Hard Resin PhotoFusion – semi-finished

1.50 Hard Resin PhotoFusion Flat Top 7x28 **32 – 34**

1.50 Hard Resin – semi-finished

1.50 Hard Resin 72mm Flat Top 7x28 **35 – 39**

1.50 Hard Resin 72mm Flat Top 8x35 **37 – 38**

1.50 Hard Resin 68mm E-Line **39 – 40**

1.50 Glass – semi-finished

1.50 White & PhotoGray Extra Glass 71mm Flat Top 7x28 **41 – 42**

PRODUCT FACT SHEET



Product Name

ZEISS Semi-Finished Flat Top Bifocal 28mm 1.59 UVProtect

1. Customer Product Codes

| Product: | LGC: | LGC Description: | CAT Code: |
|-------------|-------|----------------------------|-----------|
| Hart Coated | L7050 | ZEISS SF B FT28 159 HA U-- | A52 |

2. Product Range:

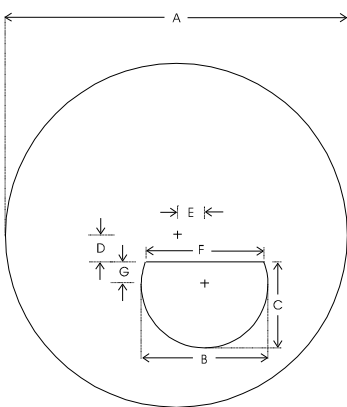
| Nominal Diameter (mm) | Nominal Base Curve (D) | ADD Range (D) | Recommended Rx Range (D) |
|-----------------------|------------------------|---------------|--------------------------|
| 80 | 0.50 | 1.00 to 3.00 | -13.00 to -10.50 |
| 80 | 2.25 | 1.00 to 3.00 | -10.25 to -5.50 |
| 80 | 4.50 | 1.00 to 3.00 | -5.25 to -2.00 |
| 80 | 6.25 | 1.00 to 3.00 | -1.75 to +2.00 |
| 80 | 8.00 | 1.00 to 3.00 | +2.25 to +6.00 |

3. Material & Coating Specifications:

| Type | ZEISS Light Protection 1.59 Polycarbonate |
|---------------------|---|
| Refractive Index | $n_d = 1.586$ $n_e = 1.590$ |
| Abbe Number | $V_d = 30$ $V_e = 30$ |
| Density | 1.20 g/cm ³ |
| UV Protection (ISO) | Coated : 2.0 mm Centre Thickness UVA : 100 %, UVB : 100 % |
| Coating Type | Hart Coated |

4. Lens Geometry:

| Code | Description | Dimension (mm) | Tolerance (mm) |
|---|------------------------|----------------|----------------|
| A | Nominal Diameter | 80 | - |
| B | Seg Diameter | 28.0 | ± 0.3 |
| C | Seg Depth | 19.0 | ± 0.5 |
| D | Distance Below Datum | 6.0 | ± 0.3 |
| E | Inset From Datum | 6.0 | ± 1.0 |
| F* | Seg Line Length | 26.0 | - |
| G | Seg Line to Seg Centre | 5.0 | ± 0.5 |
| * Seg dimensions vary slightly as a function of add power. Nominal value only shown | | | |



Document Number: Z01019.FS1

Reviewed by: Geoff Riley, 10 Jul 2018

For External Distribution

Page 1 of 3

PRODUCT FACT SHEET



Product Name

ZEISS Semi-Finished Flat Top Bifocal 28mm 1.59 UVProtect

| Nominal Base (D) | Radius (mm) | True Front Curve (D) | Central Curve Sag @ 50mm (mm) | Nominal Back Curve (D) | Centre Thickness (±1.0 mm) | Nominal Edge Thickness (mm) | Nominal Packaged Weight (g) |
|------------------|-------------|----------------------|-------------------------------|------------------------|----------------------------|-----------------------------|-----------------------------|
| 0.50 | 913.79 | 0.58 | 0.34 | -5.75 | 10.5 | 18.0 | 87 |
| 2.25 | 233.48 | 2.27 | 1.34 | -5.75 | 9.5 | 15.5 | 75 |
| 4.50 | 117.78 | 4.50 | 2.68 | -5.75 | 8.5 | 10.5 | 62 |
| 6.25 | 85.21 | 6.22 | 3.75 | -8.00 | 7.3 | 11 | 66 |
| 8.00 | 66.42 | 7.98 | 4.89 | -8.00 | 10.0 | 10 | 72 |

5. Surfacing: Recommended centre & edge thicknesses for all regions:

| Power Range (D) | USA Market Minimum Centre Thickness (mm) | Int'l Market Minimum Centre Thickness (mm) | Minimum Edge Thickness (mm) |
|----------------------|--|--|-----------------------------|
| High Minus to -2.00 | 1.5 | 1.2 | |
| -1.75 to +2.00 | 2.0 or * | 2.0 or * | 1.3 * |
| +2.25 to + High Plus | | | 1.3 |

* Thicknesses are based on whichever is the limiting factor

6. Product Markings

Front Surface Curve: Ink Markings: None.

| Front Surface Curve: Top Code Only: | Back Surface Curve: Cast on Visible Code: |
|-------------------------------------|---|
| | |

Document Number: Z01019.FS1

Reviewed by: Geoff Riley, 10 Jul 2018

For External Distribution

Page 2 of 3

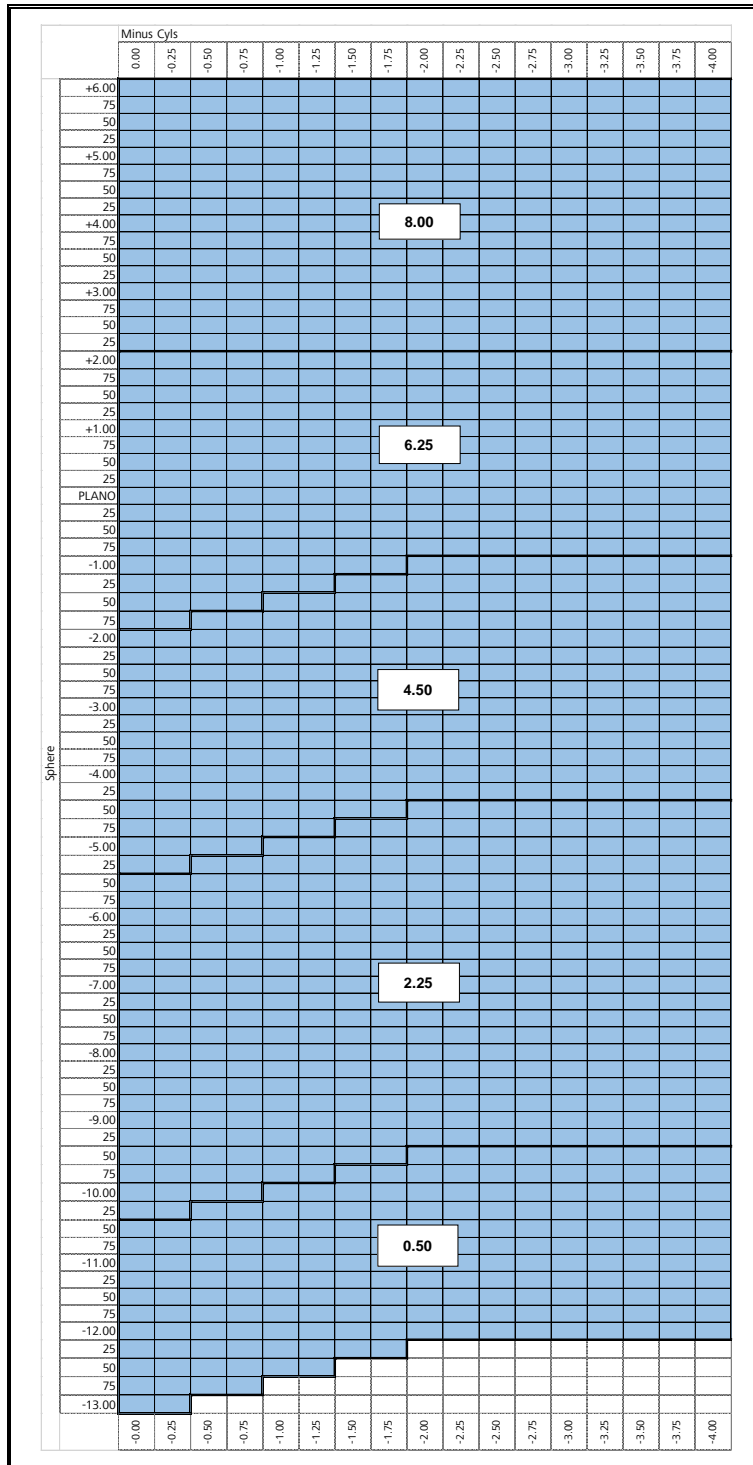
PRODUCT FACT SHEET



Product Name

ZEISS Semi-Finished Flat Top Bifocal 28mm 1.59 UVProtect

7. Recommended Base Curve Selection Chart:



Document Number: Z01019.FS1
For External Distribution

Reviewed by: Geoff Riley, 10 Jul 2018
Page 3 of 3

PRODUCT FACT SHEET



| | |
|---------------------|--|
| Product Name | synchrony Semi-Finished Flat-Top Bifocal 28mm 1.59 |
|---------------------|--|

Customer Product Codes

| Product | CAT Code: | LGC: | LGC Description: | Notes: | FDA: |
|-------------|-----------|-------|---------------------------|--------------|--------------------------|
| Hard Coated | 398 | L2102 | SYNC SF B FT28 159 HC --- | COO required | Yes, disclaimer required |

Product Range:

| Nominal Diameter (mm) | Nominal Base Curve (D) | ADD Range (D) | Recommended Rx Range (D) |
|-----------------------|------------------------|---------------|--------------------------|
| 80 | 0.50 | 1.00 to 3.00 | -13.00 to -10.50 |
| 80 | 2.25 | 1.00 to 3.00 | -10.25 to -5.50 |
| 80 | 4.50 | 1.00 to 3.00 | -5.25 to -2.00 |
| 80 | 6.25 | 1.00 to 3.00 | -1.75 to +2.00 |
| 80 | 8.00 | 1.00 to 3.00 | +2.25 to +6.00 |

Material & Coating Specifications:

| | |
|----------------------------|--|
| Type | 1.59 Polycarbonate |
| Refractive Index | $n_d = 1.586$ $n_e = 1.590$ |
| Abbe Number | $v_d = 30$ $v_e = 29$ |
| Density | 1.20 g/cm ³ |
| UV Protection (ISO) | UVA : 100 %, UVB : 100 % 2.0 mm Centre Thickness |
| Coating Type | Hard Coated |

Lens Geometry:

| Nominal Base | True Front Curve (D) (1.530) | Radii (mm) | Nominal Back Curve (D) | Centre Thickness (mm) (± 1.0) | Nominal Edge Thickness (mm) | Packaged Weight (g) |
|--------------|------------------------------|------------|------------------------|-------------------------------------|-----------------------------|---------------------|
| 0.50 | 0.58 | 913.79 | -5.75 | 10.5 | 18.0 | 87 |
| 2.25 | 2.27 | 233.48 | -5.75 | 9.5 | 15.5 | 75 |
| 4.50 | 4.50 | 117.78 | -5.75 | 8.5 | 10.5 | 62 |
| 6.25 | 6.22 | 85.21 | -8.00 | 7.3 | 11 | 66 |
| 8.00 | 7.98 | 66.42 | -8.00 | 10.0 | 10 | 72 |

Surfacing: Recommended centre & edge thicknesses for all regions:

| Power Range (D) | Minimum Centre Thickness (mm) | Minimum Edge Thickness (mm) |
|-----------------|-------------------------------|-----------------------------|
| -13.00 to -2.00 | 1.5 | |
| -1.75 to +2.00 | 2.0 or * | 1.5 * |
| +2.25 to +6.00 | | 1.0 |

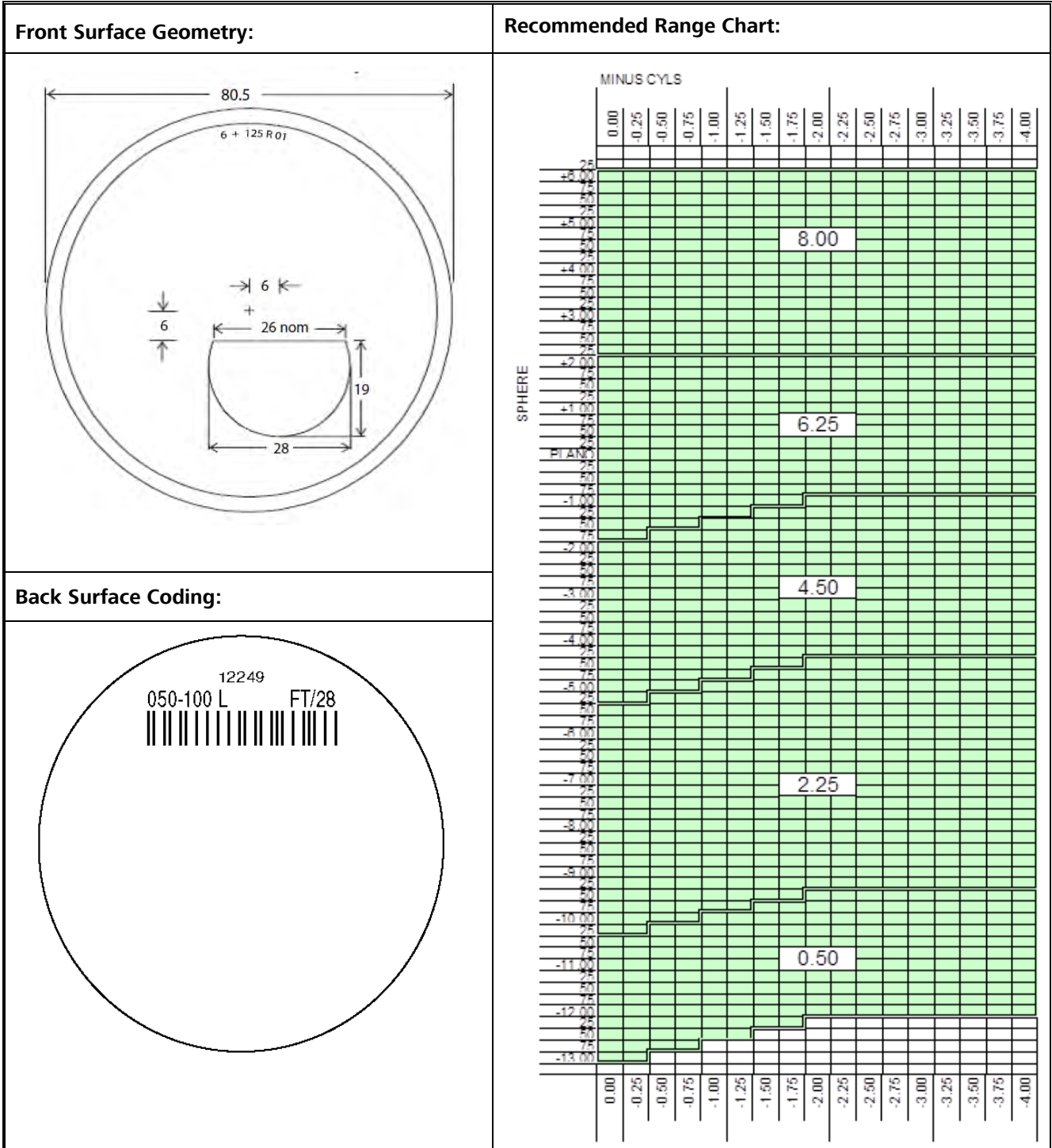
* Thicknesses are based on whichever is the limiting factor

| | |
|------------------------------|---------------------------------------|
| Document Number: 0101106.FS2 | Reviewed by: Geoff Riley, 06 Jun 2017 |
| For External Distribution | Page 1 of 2 |

PRODUCT FACT SHEET



| | |
|---------------------|--|
| Product Name | synchrony Semi-Finished Flat-Top Bifocal 28mm 1.59 |
|---------------------|--|



| | |
|------------------------------|---------------------------------------|
| Document Number: 0101106.FS2 | Reviewed by: Geoff Riley, 06 Jun 2017 |
| For External Distribution | Page 2 of 2 |

PRODUCT FACT SHEET



| | |
|---------------------|---|
| Product Name | synchrony Semi-Finished FLAT-TOP Bifocal 76 x 28mm 1.5 Photochromic |
|---------------------|---|

1. Customer Product Codes

| CAT Code: | LGC: | LGC Description: | Notes: | FDA: |
|-----------|-------|----------------------------------|-------------------------------------|----------------------------|
| | L6156 | SYNC SF B FT28 15 PH GRY UNC --- | Country of Origin required on Label | US FDA disclaimer Required |
| | L6157 | SYNC SF B FT28 15 PH BRN UNC --- | | |
| F25 | L6158 | SYNC SF B FT28 15 PH GRY HC B-- | | |
| F26 | L6159 | SYNC SF B FT28 15 PH BRN HC B-- | | |

2. Product Range:

| Nominal Diameter (mm) | Nominal Base Curve (D) | Add Power Range (D) | Rx Range Recommended (D) |
|-----------------------|------------------------|---------------------|--------------------------|
| 76 | 0.50 | 1.00 to 3.00 | -9.00 to -6.00 |
| 76 | 2.25 | 1.00 to 3.00 | -5.75 to -3.75 |
| 76 | 4.25 | 1.00 to 3.00 | -3.50 to -1.50 |
| 76 | 5.25 | 1.00 to 3.00 | -1.25 to +1.25 |
| 76 | 6.25 | 1.00 to 3.00 | +1.50 to +2.25 |
| 76 | 8.25 | 1.00 to 3.00 | +2.50 to +5.00 |

3. Material & Coating Specifications:

| | |
|---|---|
| Type | 1.5 Photochromic |
| Refractive Index | $n_d = 1.502$ $n_e = 1.504$ |
| Abbe Number | $v_d = 54$ $v_e = 52$ |
| Density | 1.18 g/cm ³ |
| Luminous Transmittance (clear state) | ≥ 87% |
| UV Protection (ISO) | Coated, Activated : 2.0 mm Centre Thickness: UVA : 100 %, UVB : 100 % |
| Coating Type | Hard Coated & Uncoated |

4. Lens Geometry: Curves measured in 1.530 Index, at the Geometric Centre

| Nominal Base | True Front Curve (D) | Radii (mm) | Nominal Back Curve (D) | Centre Thickness (± 1.0mm) | Nominal Edge Thickness (mm) |
|--------------|----------------------|------------|------------------------|----------------------------|-----------------------------|
| 0.50 | 0.37 | 1432.43 | -4.00 | 10.6 | 15.8 |
| 2.25 | 2.09 | 253.59 | -4.00 | 10.6 | 13.6 |
| 4.25 | 4.30 | 123.26 | -4.00 | 10.6 | 10.4 |
| 5.25 | 5.26 | 100.76 | -6.00 | 8.7 | 10.2 |
| 6.25 | 6.21 | 85.35 | -6.00 | 8.7 | 8.8 |
| 8.25 | 8.26 | 64.16 | -6.00 | 12.3 | 9.0 |

| | |
|----------------------------|---------------------------------------|
| Document Number: 00216.FS2 | Reviewed by: Geoff Riley, 26 Aug 2016 |
| For External Distribution | Page 1 of 3 |

PRODUCT FACT SHEET

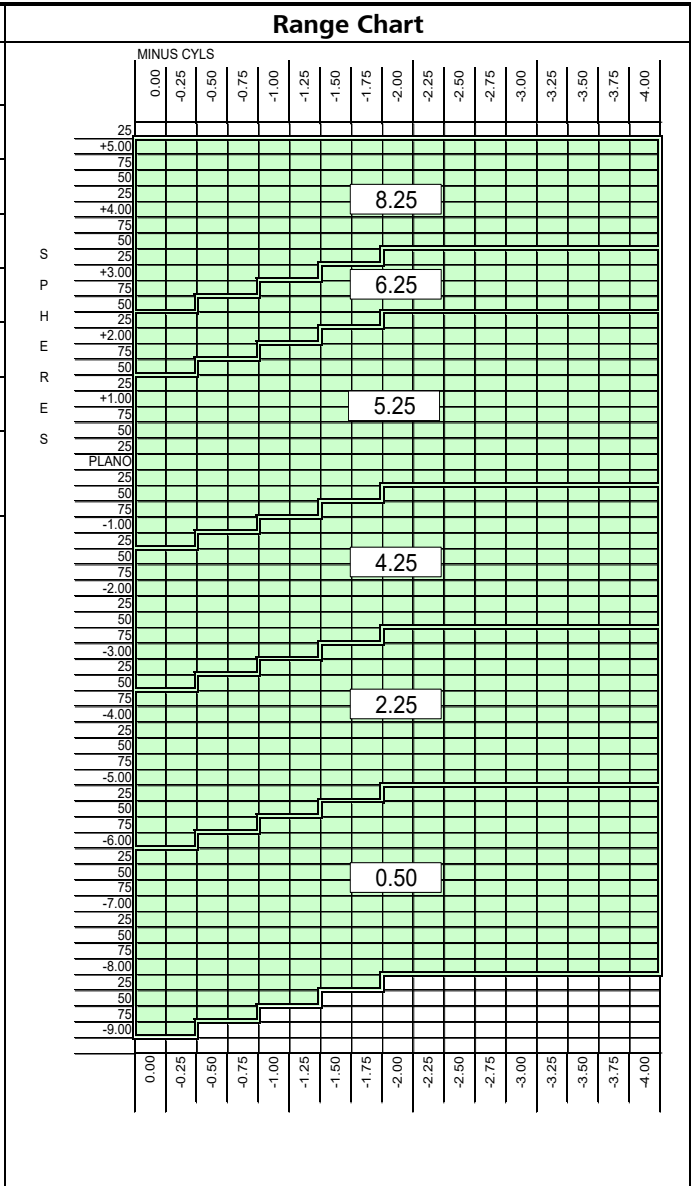
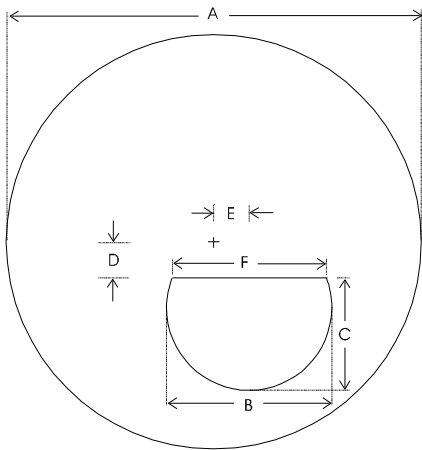


Product Name

synchrony Semi-Finished FLAT-TOP Bifocal 76 x 28mm 1.5 Photochromic

| Lens Geometry (continued) | | |
|---------------------------|----------------------|------------|
| Code | Dimension | Value (mm) |
| A | Lens Diameter | 76.0 |
| B | Seg Diameter | 28.0 |
| C | Seg Depth | 19.0 |
| D | Distance Below Datum | 6.0 |
| E | Inset From Datum | 6.0 |
| F * | Seg Line Length | 26 |

* Seg dimensions vary slightly as a function of add power. Nominal value only shown.



5. Surfacing: Recommended centre & edge thicknesses for all regions:

| Power Range (D) | USA Market Minimum Centre Thickness | Int'l Market Minimum Centre Thickness (mm) | All Markets Minimum Edge Thickness (mm) |
|---------------------|-------------------------------------|--|---|
| High Minus to -2.00 | 2.0 | 2.0 | |
| -1.75 to +2.00 | 2.0 or * | 2.0 or * | 1.5 * |
| +2.25 to High Pus | | | 1.5 |

* Thicknesses are based on whichever is the limiting factor

Document Number: 00216.FS2

Reviewed by: Geoff Riley, 26 Aug 2016

For External Distribution

Page 2 of 3

PRODUCT FACT SHEET



| | |
|---------------------|---|
| Product Name | synchrony Semi-Finished FLAT-TOP Bifocal 76 x 28mm 1.5 Photochromic |
|---------------------|---|

6. Product Markings: Samples

| Permanent Markings – Front Surface | Permanent Markings – Back Surface |
|------------------------------------|---|
| <p>625-100R XXXX</p> | <p>19326 425-200 R FT 28 H-PF</p> |

| | |
|----------------------------|---------------------------------------|
| Document Number: 00216.FS2 | Reviewed by: Geoff Riley, 26 Aug 2016 |
| For External Distribution | Page 3 of 3 |

PRODUCT FACT SHEET



| | |
|---------------------|---|
| Product Name | synchrony Semi-Finished FLAT-TOP Bifocal 76 x 35mm 1.5 Photochromic |
|---------------------|---|

1. Customer Product Codes

| CAT Code: | LGC: | LGC Description: | Notes: | FDA: |
|-----------|-------|---------------------------------|-------------------------------------|----------------------------|
| C24 | L6851 | SYNC SF B FT35 15 PH GRY HC B-- | Country of Origin required on Label | US FDA disclaimer Required |

2. Product Range:

| Nominal Diameter (mm) | Nominal Base Curve (D) | Add Power Range (D) | Rx Range Recommended (D) |
|-----------------------|------------------------|---------------------|--------------------------|
| 76 | 4.00 | 1.00 to 3.00 | -4.00 to -2.25 |
| 76 | 6.00 | 1.00 to 3.00 | -2.00 to +2.00 |
| 76 | 8.00 | 1.00 to 3.00 | +2.25 to +6.00 |

3. Material & Coating Specifications:

| | |
|---|---|
| Type | 1.5 Photochromic |
| Refractive Index | $n_d = 1.502$ $n_e = 1.504$ |
| Abbe Number | $v_d = 54$ $v_e = 52$ |
| Density | 1.18 g/cm ³ |
| Luminous Transmittance (clear state) | ≥ 87% |
| UV Protection (ISO) | Coated, Activated : 2.0 mm Centre Thickness: UVA : 100 %, UVB : 100 % |
| Coating Type | Hard Coated |

4. Lens Geometry: Curves measured in 1.530 Index, at the Geometric Centre

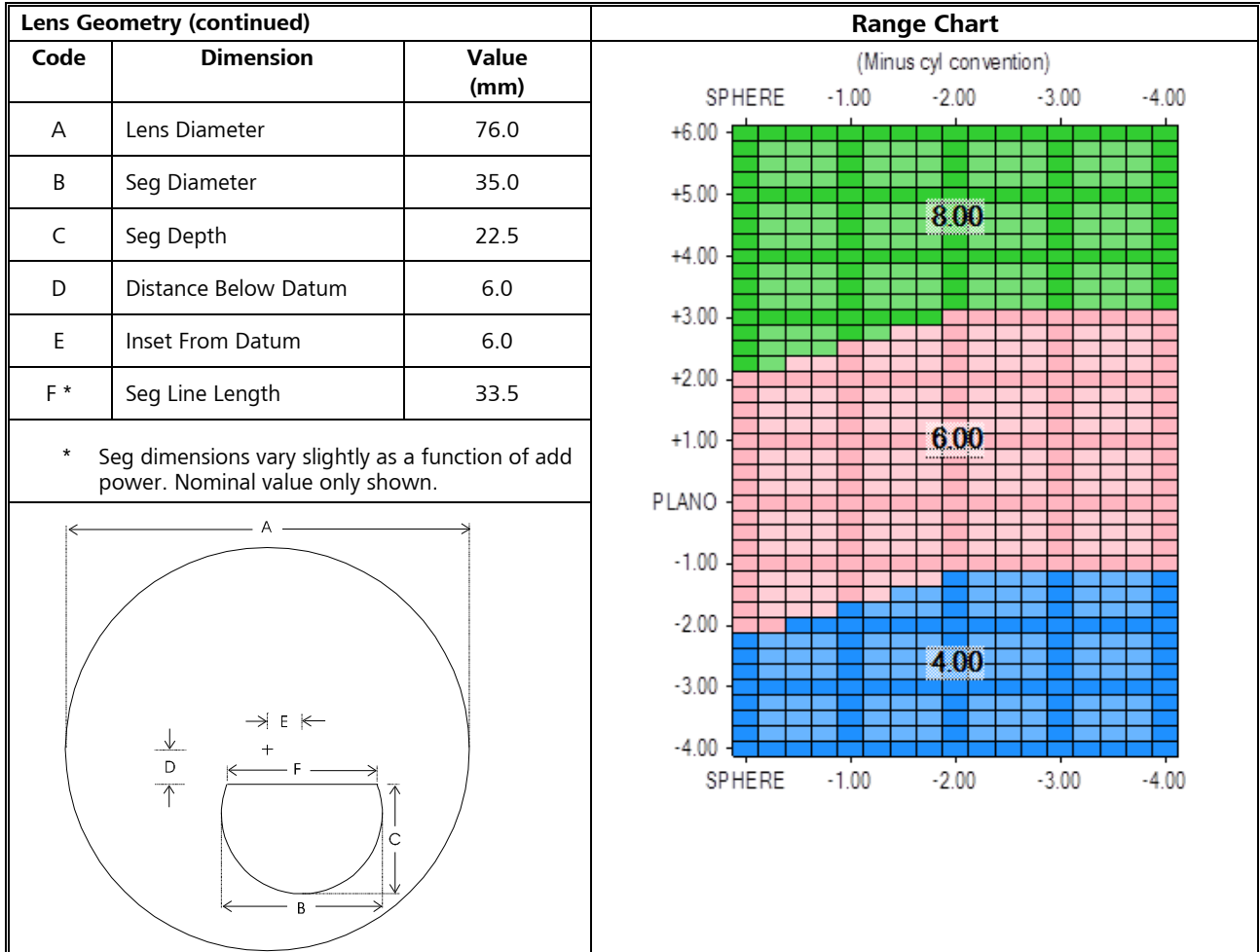
| Nominal Base | True Front Curve (D) | Radii (mm) | Nominal Back Curve (D) | Centre Thickness (mm) (± 1.0mm) | Nominal Edge Thickness (mm) | Nominal Packaged weight (g) |
|--------------|----------------------|------------|------------------------|---------------------------------|-----------------------------|-----------------------------|
| 4.00 | 3.68 | 144.02 | -6.00 | 11.3 | 14.6 | 85 |
| 6.00 | 5.89 | 89.98 | -6.00 | 8.9 | 9.0 | 66 |
| 8.00 | 8.01 | 66.17 | -6.00 | 12.5 | 9.0 | 77 |

| | |
|----------------------------|---------------------------------------|
| Document Number: 00595.FS1 | Reviewed by: Geoff Riley, 31 Aug 2016 |
| For External Distribution | Page 1 of 3 |

PRODUCT FACT SHEET



| | |
|---------------------|---|
| Product Name | synchrony Semi-Finished FLAT-TOP Bifocal 76 x 35mm 1.5 Photochromic |
|---------------------|---|



5. Surfacing: Recommended centre & edge thicknesses for all regions:

| Power Range (D) | USA Market Minimum Centre Thickness | Int'l Market Minimum Centre Thickness (mm) | All Markets Minimum Edge Thickness (mm) |
|---------------------|-------------------------------------|--|---|
| High Minus to -2.00 | 2.0 | 2.0 | |
| -1.75 to +2.00 | 2.0 or * | 2.0 or * | 1.5 * |
| +2.25 to High Pus | | | 1.5 |

* Thicknesses are based on whichever is the limiting factor

| | |
|----------------------------|---------------------------------------|
| Document Number: 00595.FS1 | Reviewed by: Geoff Riley, 31 Aug 2016 |
| For External Distribution | Page 2 of 3 |

PRODUCT FACT SHEET



| | |
|---------------------|---|
| Product Name | synchrony Semi-Finished FLAT-TOP Bifocal 76 x 35mm 1.5 Photochromic |
|---------------------|---|

6. Product Markings: Samples

| Permanent Markings – Front Surface | Permanent Markings – Back Surface |
|------------------------------------|---|
| <p>600-100R XXXX</p> | <p>20785 400-100 R FT 35 H-PF</p> |

| | |
|----------------------------|---------------------------------------|
| Document Number: 00595.FS1 | Reviewed by: Geoff Riley, 31 Aug 2016 |
| For External Distribution | Page 3 of 3 |

PRODUCT FACT SHEET



| | |
|---------------------|--|
| Product Name | synchrony Semi-Finished Flat-Top Bifocal 72 x 28mm 1.5 - USA |
|---------------------|--|

Customer Product Codes

| Product | CAT Code: | LGC: | LGC Description: | Notes: | FDA: |
|------------------|-----------|-------|---------------------------|--------------|--------------------------|
| Uncoated 72mm | 206 | L2050 | SYNC SF B FT28 15 UNC --- | COO required | Yes, disclaimer required |
| Hard Coated 72mm | 510 | L2133 | SYNC SF B FT28 15 HC --- | | |

Product Range:

| Nominal Diameter (mm) | Nominal Base Curve (D) | Add Power Range (D) | Recommended Rx Range (D) |
|-----------------------|------------------------|---------------------|--------------------------|
| 72 | 0.50 | 0.75 to 3.50 & 4.00 | -12.00 to -7.25 |
| 72 | 2.50 | 0.75 to 3.50 & 4.00 | -7.00 to -4.25 |
| 72 | 4.00 | 0.75 to 3.50 & 4.00 | -4.00 to -2.25 |
| 72 | 6.00 | 0.75 to 3.50 & 4.00 | -2.00 to +2.00 |
| 72 | 8.00 | 0.75 to 3.50 & 4.00 | +2.25 to +4.50 |
| 72 | 10.00 | 0.75 to 3.50 & 4.00 | +4.75 to +8.00 |

Material & Coating Specifications:

| | | |
|----------------------------|---|---------------|
| Type | 1.5 Polymer | |
| Refractive Index | $n_d = 1.499$ | $n_e = 1.500$ |
| Abbe Number | $v_d = 58$ | $v_e = 56$ |
| Density | 1.32 g/cm ³ | |
| UV Protection (ISO) | UVA : 91 %, UVB : 100 % 2.0 mm Centre Thickness | |
| Coating Type | Uncoated & Hard Coated | |

Lens Geometry:

| | | | | |
|---|-------------|----------------------|-----------------------|-----------------------|
| | Code | Description | Dimension (mm) | Tolerance (mm) |
| | A | Nominal Diameter | 72 | - |
| | B | Seg Diameter | 28.0 | ± 0.25 |
| | C | Seg Depth | 19.0 | ± 0.50 |
| | D | Distance Below Datum | 6.0 | ± 0.25 |
| | E | Inset From Datum | 7.0 | ± 1.0 |
| | F* | Seg Line Length | 26.0 | - |
| * Seg dimensions vary slightly as a function of add power. Nominal value only shown | | | | |

| | |
|----------------------------------|---------------------------------------|
| Document Number: 5110102.FS4_USA | Reviewed by: Geoff Riley, 31 May 2017 |
| For External Distribution | Page 1 of 3 |

PRODUCT FACT SHEET



| | |
|---------------------|--|
| Product Name | synchrony Semi-Finished Flat-Top Bifocal 72 x 28mm 1.5 - USA |
|---------------------|--|

| Nominal Base | True Front Curve (D) (1.530) | Radii (mm) | Nominal Back Curve (D) | Centre Thickness (± 1.0mm) | Nominal Edge Thickness (mm) |
|--------------|------------------------------|------------|------------------------|----------------------------|-----------------------------|
| 0.50 | 0.37 | 1432.43 | -3.00 | 12.8 | 16.0 |
| 2.50 | 2.15 | 246.51 | -6.00 | 11.0 | 16.0 |
| 4.00 | 3.68 | 144.02 | -6.00 | 9.9 | 13.0 |
| 6.00 | 5.92 | 89.53 | -6.00 | 7.9 | 8.0 |
| 8.00 | 8.01 | 66.17 | -6.00 | 11.5 | 8.5 |
| 10.00 | 10.00 | 53.00 | -6.00 | 15.0 | 8.5 |

Product Markings:

Ink Markings: None

| Front Surface Curve: Top Code Only: | Back Surface Curve: Cast on Visible Code: |
|-------------------------------------|---|
| <p>610R XXXX</p> | <p>00220 600-100 R FT 28/72</p> |

Surfacing: Recommended centre & edge thicknesses for all regions:

| Power Range (D) | USA Market Minimum Centre Thickness (mm) | Int'l Market Minimum Centre Thickness (mm) | Minimum Edge Thickness (mm) |
|-----------------|--|--|-----------------------------|
| -12.00 to -2.00 | 2.0 | 1.5 | |
| -1.75 to +2.00 | 2.0 or * | 2.0 or * | 1.0 * |
| +2.25 to +4.00 | | | 1.0 |
| +4.25 to +8.00 | | | 0.5 |

* Thicknesses are based on whichever is the limiting factor

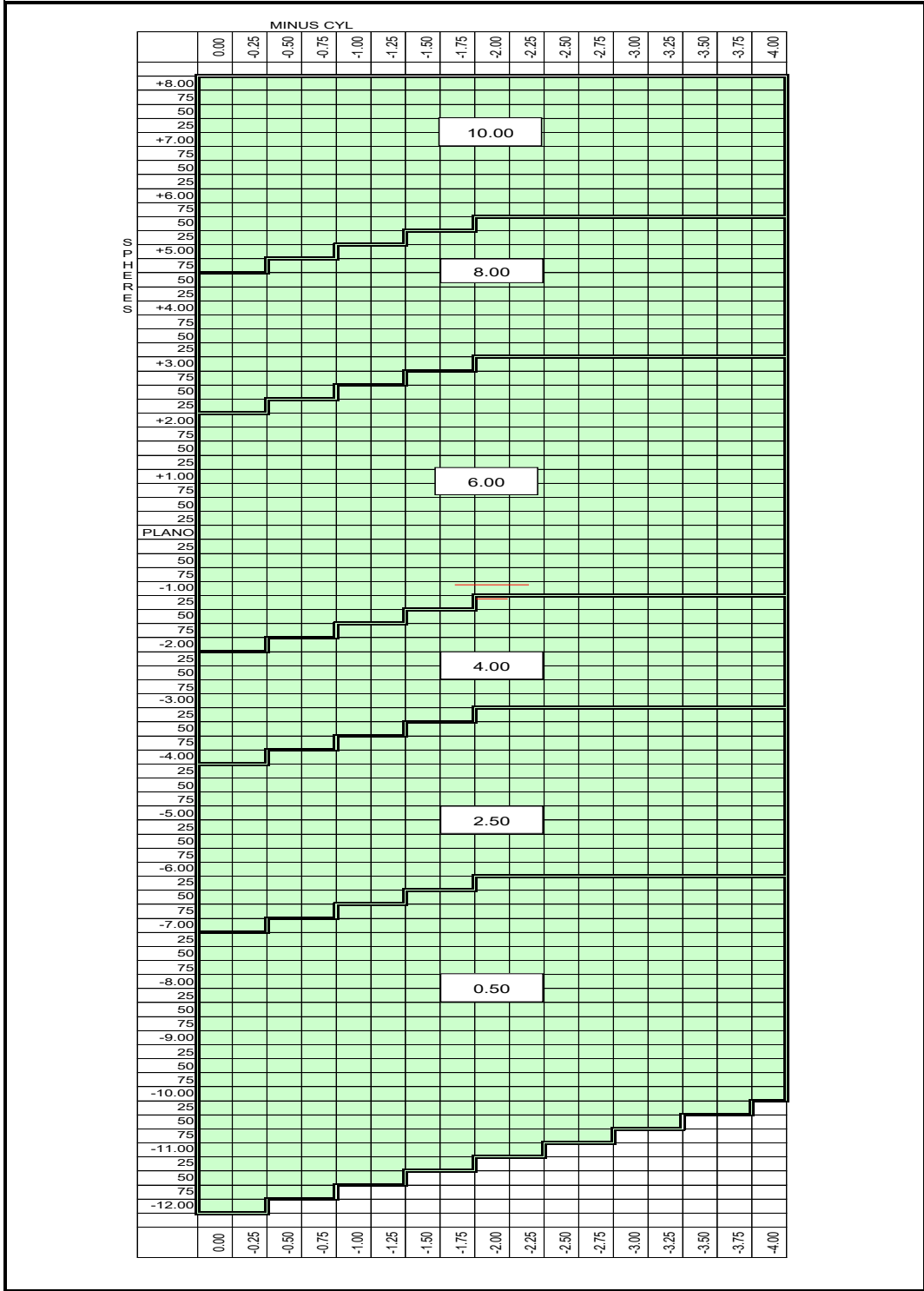
| | |
|----------------------------------|---------------------------------------|
| Document Number: 5110102.FS4_USA | Reviewed by: Geoff Riley, 31 May 2017 |
| For External Distribution | Page 2 of 3 |

PRODUCT FACT SHEET



| | |
|---------------------|--|
| Product Name | synchrony Semi-Finished Flat-Top Bifocal 72 x 28mm 1.5 - USA |
|---------------------|--|

Recommended Base Curve Selection Chart:



| | |
|----------------------------------|---------------------------------------|
| Document Number: 5110102.FS4_USA | Reviewed by: Geoff Riley, 31 May 2017 |
| For External Distribution | Page 3 of 3 |

PRODUCT FACT SHEET



| | |
|---------------------|--|
| Product Name | synchrony Semi-Finished Flat-Top Bifocal 76 x 28mm 1.5 |
|---------------------|--|

Customer Product Codes

| Product | CAT Code: | LGC: | LGC Description: | Notes: | FDA: |
|-------------|-----------|-------|---------------------------|--------------|--------------------------|
| Uncoated | 128 | L2039 | SYNC SF B FT28 15 UNC --- | COO required | Yes, disclaimer required |
| Hard Coated | 766 | L2185 | SYNC SF B FT28 15 HC --- | | |

Product Range:

¹ Not available in Hardcoat

| Nominal Diameter (mm) | Nominal Seg Size (mm) | Nominal Base Curve (D) | Add Power Range (D) | Recommended Rx Range (D) |
|-----------------------|-----------------------|------------------------|---------------------|--------------------------|
| 76 | 28 | 2.50 | 1.00 to 3.00 | -7.00 to -4.25 |
| 76 | 28 | 4.00 | 0.75 to 3.50 | -4.00 to -2.25 |
| 76 | 28 | 5.00 ¹ | 1.00 to 3.00 | -2.00 to 0.00 |
| 76 | 28 | 6.00 | 0.75 to 3.50 | +0.25 to +2.00 |
| 76 | 28 | 8.00 | 0.75 to 3.50 | +2.25 to +4.50 |
| 76 | 28 | 10.00 | 1.00 to 3.00 | +4.75 to +8.00 |

Material & Coating Specifications:

| | | |
|----------------------------|---|---------------|
| Type | 1.5 Polymer | |
| Refractive Index | $n_d = 1.499$ | $n_e = 1.500$ |
| Abbe Number | $v_d = 58$ | $v_e = 56$ |
| Density | 1.32 g/cm ³ | |
| UV Protection (ISO) | UVA : 91 %, UVB : 100 % 2.0 mm Centre Thickness | |
| Coating Type | Uncoated & Hard Coated | |

Lens Geometry:

| Nominal Base | True Front Curve (D) (1.530) | Radii (mm) | Nominal Back Curve (D) | Centre Thickness (mm) (± 1.0) | Nominal Edge Thickness (mm) | Packaged Weight (g) |
|--------------|------------------------------|------------|------------------------|-------------------------------------|-----------------------------|---------------------|
| 2.50 | 2.15 | 246.51 | -3.00 | 15.8 | 17.0 | 111 |
| 4.00 | 3.68 | 144.02 | -6.00 | 11.5 | 15.0 | 91 |
| 5.00 | 4.77 | 111.11 | -6.00 | 12.8 | 15.0 | 94 |
| 6.00 | 5.92 | 89.53 | -6.00 | 8.9 | 9.0 | 64 |
| 8.00 | 8.01 | 66.17 | -6.00 | 12.4 | 9.0 | 76 |
| 10.00 | 10.00 | 53.00 | -6.00 | 16.5 | 8.5 | 90 |

| | |
|------------------------------|---------------------------------------|
| Document Number: 0101106.FS2 | Reviewed by: Geoff Riley, 09 May 2017 |
| For External Distribution | Page 1 of 2 |

PRODUCT FACT SHEET



| | |
|---------------------|--|
| Product Name | synchrony Semi-Finished Flat-Top Bifocal 76 x 28mm 1.5 |
|---------------------|--|

Surfacing: Recommended centre & edge thicknesses for all regions:

| Power Range (D) | USA Market Minimum Centre Thickness (mm) | Int'l Market Minimum Centre Thickness (mm) | Minimum Edge Thickness (mm) |
|-----------------|--|--|-----------------------------|
| -7.00 to -2.00 | 2.0 | 1.5 | |
| -1.75 to +2.00 | 2.0 or * | 2.0 or * | 1.0 * |
| +2.25 to +4.00 | | | 1.0 |
| +4.25 to +8.00 | | | 0.5 |

* Thicknesses are based on whichever is the limiting factor

| | |
|---------------------------------------|--|
| <p>Front Surface Geometry:</p> | <p>Recommended Range Chart:</p> |
| <p>Back Surface Coding:</p> | |

| | |
|------------------------------|---------------------------------------|
| Document Number: 0101106.FS2 | Reviewed by: Geoff Riley, 09 May 2017 |
| For External Distribution | Page 2 of 2 |

PRODUCT FACT SHEET



| | |
|---------------------|--|
| Product Name | synchrony Semi-Finished Flat-Top Bifocal 72 x 35mm 1.5 |
|---------------------|--|

Customer Product Codes

| Product | CAT Code: | LGC: | LGC Description: | Notes: | FDA: |
|-------------|-----------|-------|---------------------------|--------------|--------------------------|
| Uncoated | 221 | L2053 | SYNC SF B FT35 15 UNC --- | COO required | Yes, disclaimer required |
| Hard Coated | 515 | L2138 | SYNC SF B FT35 15 HC --- | | |

Product Range:

| Nominal Diameter (mm) | Nominal Seg Size (mm) | Nominal Base Curve (D) | Add Power Range (D) | Recommended Rx Range (D) |
|-----------------------|-----------------------|------------------------|---------------------|--------------------------|
| 72 | 35 | 0.50 | 0.75 to 3.00 | -12.00 to -7.25 |
| 72 | 35 | 2.50 | 0.75 to 3.00 | -7.00 to -4.25 |
| 72 | 35 | 4.00 | 0.75 to 3.00 | -4.00 to -2.25 |
| 72 | 35 | 6.00 | 0.75 to 3.00 | -2.00 to +2.00 |
| 72 | 35 | 8.00 | 0.75 to 3.00 | +2.25 to +4.50 |
| 72 | 35 | 10.00 | 0.75 to 3.00 | +4.75 to +8.00 |

Material & Coating Specifications:

| | |
|----------------------------|---|
| Type | 1.5 Polymer |
| Refractive Index | $n_d = 1.499$ $n_e = 1.500$ |
| Abbe Number | $v_d = 58$ $v_e = 56$ |
| Density | 1.32 g/cm ³ |
| UV Protection (ISO) | UVA : 91 %, UVB : 100 % 2.0 mm Centre Thickness |
| Coating Type | Uncoated & Hard Coated |

Lens Geometry:

| Nominal Base | True Front Curve (D) (1.530) | Radii (mm) | Nominal Back Curve (D) | Centre Thickness (± 1.0mm) | Nominal Edge Thickness (mm) |
|--------------|------------------------------|------------|------------------------|----------------------------|-----------------------------|
| 0.50 | 0.37 | 1432.43 | -3.00 | 12.8 | 16.0 |
| 2.50 | 2.15 | 246.51 | -6.00 | 11.0 | 16.0 |
| 4.00 | 3.68 | 144.02 | -6.00 | 9.9 | 13.0 |
| 6.00 | 5.92 | 89.53 | -6.00 | 7.9 | 8.0 |
| 8.00 | 8.01 | 66.17 | -6.00 | 11.5 | 8.5 |
| 10.00 | 10.00 | 53.00 | -6.00 | 15.0 | 8.5 |

| | |
|----------------------------|---------------------------------------|
| Document Number: 00062.FS2 | Reviewed by: Geoff Riley, 09 May 2017 |
| For External Distribution | Page 1 of 2 |

PRODUCT FACT SHEET



| | |
|---------------------|--|
| Product Name | synchrony Semi-Finished Flat-Top Bifocal 72 x 35mm 1.5 |
|---------------------|--|

Surfacing: Recommended centre & edge thicknesses for all regions:

| Power Range (D) | USA Market Minimum Centre Thickness (mm) | Int'l Market Minimum Centre Thickness (mm) | Minimum Edge Thickness (mm) |
|-----------------|--|--|-----------------------------|
| -12.00 to -2.00 | 2.0 | 1.5 | |
| -1.75 to +2.00 | 2.0 or * | 2.0 or * | 1.0 * |
| +2.25 to +4.00 | | | 1.0 |
| +4.25 to +8.00 | | | 0.5 |

* Thicknesses are based on whichever is the limiting factor

| | |
|---------------------------------------|--|
| <p>Front Surface Geometry:</p> | <p>Recommended Range Chart:</p> |
| <p>Back Surface Coding:</p> | |

| | |
|----------------------------|---------------------------------------|
| Document Number: 00062.FS2 | Reviewed by: Geoff Riley, 09 May 2017 |
| For External Distribution | Page 2 of 2 |

PRODUCT FACT SHEET



| | |
|---------------------|--|
| Product Name | synchrony Semi-Finished Flat-Top Bifocal 76 x 35mm 1.5 |
|---------------------|--|

Customer Product Codes

| Product | CAT Code: | LGC: | LGC Description: | Notes: | FDA: |
|-------------|-----------|-------|---------------------------|--------------|--------------------------|
| Uncoated | 127 | L2038 | SYNC SF B FT35 15 UNC --- | COO required | Yes, disclaimer required |
| Hard Coated | 770 | L2186 | SYNC SF B FT35 15 HC --- | | |

Product Range:

| Nominal Diameter (mm) | Nominal Seg Size (mm) | Nominal Base Curve (D) | Add Power Range (D) | Recommended Rx Range (D) |
|-----------------------|-----------------------|------------------------|---------------------|--------------------------|
| 76 | 35 | 2.50 | 1.00 to 3.00 | -7.00 to -4.25 |
| 76 | 35 | 4.00 | 1.00 to 3.00 | -4.00 to -2.25 |
| 76 | 35 | 6.00 | 1.00 to 3.00 | -2.00 to +2.00 |
| 76 | 35 | 8.00 | 1.00 to 3.00 | +2.25 to +4.50 |

Material & Coating Specifications:

| | |
|----------------------------|---|
| Type | 1.5 Polymer |
| Refractive Index | $n_d = 1.499$ $n_e = 1.500$ |
| Abbe Number | $v_d = 58$ $v_e = 56$ |
| Density | 1.32 g/cm ³ |
| UV Protection (ISO) | UVA : 91 %, UVB : 100 % 2.0 mm Centre Thickness |
| Coating Type | Uncoated & Hard Coated |

Lens Geometry:

| Nominal Base | True Front Curve (D) (1.530) | Radii (mm) | Nominal Back Curve (D) | Centre Thickness (mm) (± 1.0) | Nominal Edge Thickness (mm) | Packaged Weight (g) |
|--------------|------------------------------|------------|------------------------|-------------------------------------|-----------------------------|---------------------|
| 2.50 | 2.15 | 246.51 | -3.00 | 15.8 | 17.0 | 110 |
| 4.00 | 3.68 | 144.02 | -6.00 | 11.5 | 15.0 | 91 |
| 6.00 | 5.92 | 89.53 | -6.00 | 8.9 | 9.0 | 64 |
| 8.00 | 8.01 | 66.17 | -6.00 | 12.4 | 9.0 | 75 |

Surfacing: Recommended centre & edge thicknesses for all regions:

| Power Range (D) | USA Market Minimum Centre Thickness (mm) | Int'l Market Minimum Centre Thickness (mm) | Minimum Edge Thickness (mm) |
|-----------------|--|--|-----------------------------|
| -7.00 to -2.00 | 2.0 | 1.5 | |
| -1.75 to +2.00 | 2.0 or * | 2.0 or * | 1.0 * |
| +2.25 to +4.00 | | | 1.0 |
| +4.25 to +4.50 | | | 0.5 |

* Thicknesses are based on whichever is the limiting factor

| | |
|----------------------------|---------------------------------------|
| Document Number: 00061.FS2 | Reviewed by: Geoff Riley, 09 May 2017 |
| For External Distribution | Page 1 of 2 |

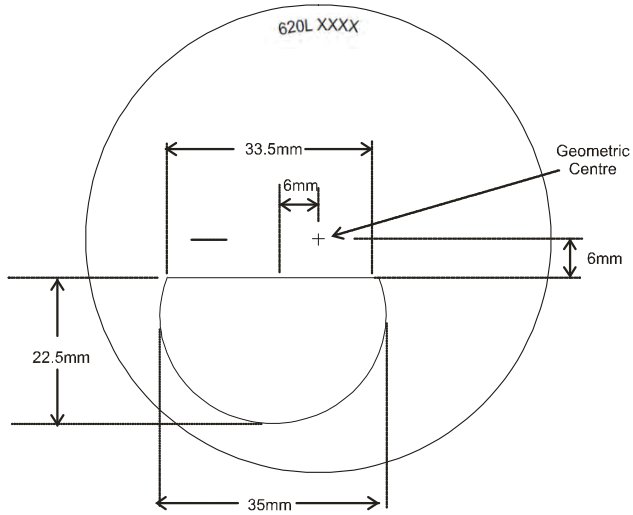
PRODUCT FACT SHEET



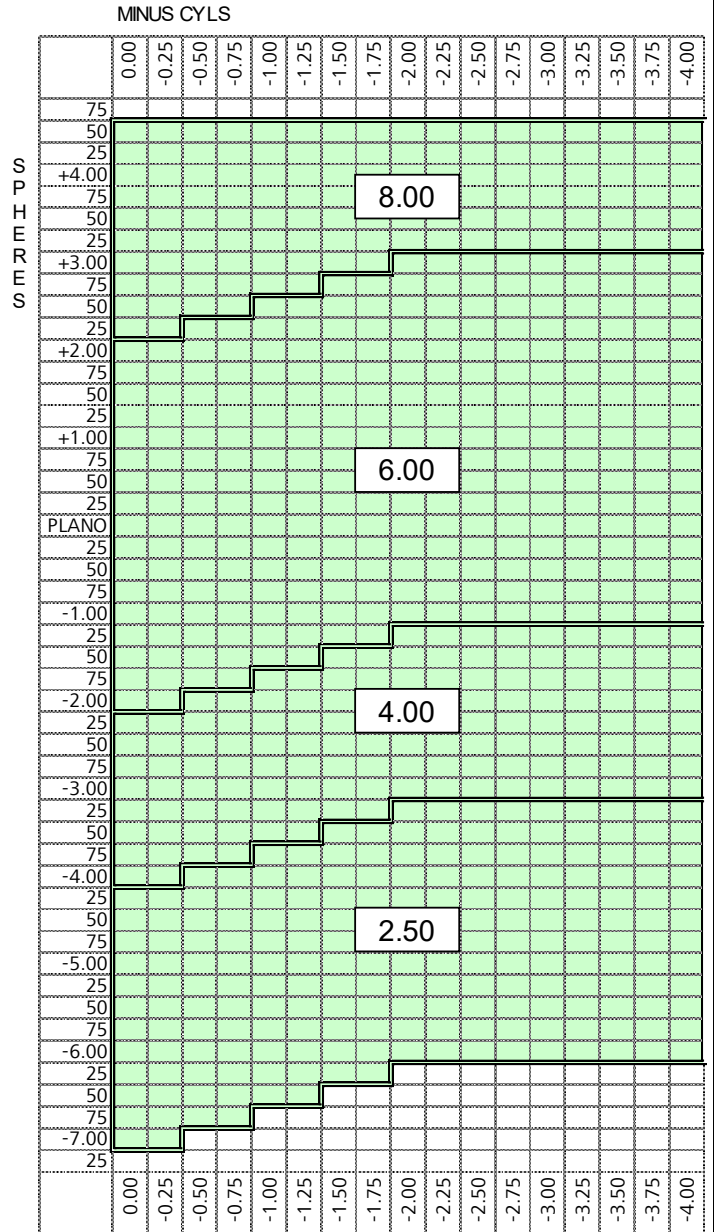
Product Name

synchrony Semi-Finished Flat-Top Bifocal 76 x 35mm 1.5

Front Surface Geometry:



Recommended Range Chart:



Back Surface Coding:



Document Number: 00061.FS2

Reviewed by: Geoff Riley, 09 May 2017

For External Distribution

Page 2 of 2

PRODUCT FACT SHEET



| | |
|---------------------|---|
| Product Name | synchrony Semi-Finished Blended Round Seg Bifocal 76 x 28mm 1.5 |
|---------------------|---|

Customer Product Codes

| Product | CAT Code: | LGC: | LGC Description: | Notes: | FDA: |
|-------------|-----------|-------|--------------------------|--------------|--------------------------|
| Hard Coated | 755 | L2183 | SYNC SF B RS28 15 HC --- | COO required | Yes, disclaimer required |

Product Range:

| Nominal Diameter (mm) | Nominal Seg Size (mm) | Nominal Base Curve (D) | Add Power Range (D) | Recommended Rx Range (D) |
|-----------------------|-----------------------|------------------------|---------------------|--------------------------|
| 76 | 28 | 4.00 | 0.75 to 3.00 | -4.00 to -2.25 |
| | | 6.00 | 0.75 to 3.00 | -2.00 to +2.00 |
| | | 8.00 | 0.75 to 3.00 | +2.25 to +4.50 |

Material & Coating Specifications:

| | |
|----------------------------|---|
| Type | 1.5 Polymer |
| Refractive Index | $n_d = 1.499$ $n_e = 1.500$ |
| Abbe Number | $v_d = 58$ $v_e = 56$ |
| Density | 1.32 g/cm ³ |
| UV Protection (ISO) | UVA : 91 %, UVB : 100 % 2.0 mm Centre Thickness |
| Coating Type | Hard Coated |

Lens Geometry:

| Nominal Base | True Front Curve (D) (1.530) | Radii (mm) | Nominal Back Curve (D) | Centre Thickness (mm) (± 1.0) | Nominal Edge Thickness (mm) | Nominal Packaged Weight (g) |
|--------------|------------------------------|------------|------------------------|-------------------------------------|-----------------------------|-----------------------------|
| 4.00 | 3.68 | 144.02 | -6.00 | 11.5 | 15.0 | 91 |
| 6.00 | 5.92 | 89.53 | -6.00 | 8.9 | 9.0 | 64 |
| 8.00 | 8.01 | 66.17 | -6.00 | 12.4 | 9.0 | 76 |

Surfacing: Recommended centre & edge thicknesses for all regions:

| Power Range (D) | USA Market Minimum Centre Thickness (mm) | Int'l Market Minimum Centre Thickness (mm) | Minimum Edge Thickness (mm) |
|-----------------|--|--|-----------------------------|
| -4.00 to -2.00 | 2.0 | 1.5 | |
| -1.75 to +2.00 | 2.0 or * | 2.0 or * | 1.0 * |
| +2.25 to +4.00 | | | 1.0 |
| +4.25 to +4.50 | | | 0.5 |

* Thicknesses are based on whichever is the limiting factor .

| | |
|------------------------------|---------------------------------------|
| Document Number: 0101145.FS2 | Reviewed by: Geoff Riley, 10 May 2017 |
| For External Distribution | Page 1 of 2 |

PRODUCT FACT SHEET



| | |
|---------------------|---|
| Product Name | synchrony Semi-Finished Blended Round Seg Bifocal 76 x 28mm 1.5 |
|---------------------|---|

| <p>Front Surface Geometry:</p> | <p>Recommended Range Chart:</p> <p>MINUS CYLS</p> <table border="1"> <thead> <tr> <th></th> <th>0.00</th> <th>-0.25</th> <th>-0.50</th> <th>-0.75</th> <th>-1.00</th> <th>-1.25</th> <th>-1.50</th> <th>-1.75</th> <th>-2.00</th> <th>-2.25</th> <th>-2.50</th> <th>-2.75</th> <th>-3.00</th> <th>-3.25</th> <th>-3.50</th> <th>-3.75</th> <th>-4.00</th> </tr> </thead> <tbody> <tr> <td rowspan="12">S P H E R E S</td> <td>50</td> <td colspan="17" rowspan="12"> </td> </tr> <tr> <td>25</td> </tr> <tr> <td>+4.00</td> </tr> <tr> <td>75</td> </tr> <tr> <td>50</td> </tr> <tr> <td>25</td> </tr> <tr> <td>+3.00</td> </tr> <tr> <td>75</td> </tr> <tr> <td>50</td> </tr> <tr> <td>25</td> </tr> <tr> <td>+2.00</td> </tr> <tr> <td>75</td> </tr> <tr> <td>50</td> </tr> <tr> <td>25</td> </tr> <tr> <td>+1.00</td> </tr> <tr> <td>75</td> </tr> <tr> <td>50</td> </tr> <tr> <td>25</td> </tr> <tr> <td>PLANO</td> </tr> <tr> <td>25</td> </tr> <tr> <td>50</td> </tr> <tr> <td>75</td> </tr> <tr> <td>-1.00</td> </tr> <tr> <td>25</td> </tr> <tr> <td>50</td> </tr> <tr> <td>75</td> </tr> <tr> <td>-2.00</td> </tr> <tr> <td>25</td> </tr> <tr> <td>50</td> </tr> <tr> <td>75</td> </tr> <tr> <td>-3.00</td> </tr> <tr> <td>25</td> </tr> <tr> <td>50</td> </tr> <tr> <td>75</td> </tr> <tr> <td>-4.00</td> </tr> <tr> <td></td> <td>0.00</td> <td>-0.25</td> <td>-0.50</td> <td>-0.75</td> <td>-1.00</td> <td>-1.25</td> <td>-1.50</td> <td>-1.75</td> <td>-2.00</td> <td>-2.25</td> <td>-2.50</td> <td>-2.75</td> <td>-3.00</td> <td>-3.25</td> <td>-3.50</td> <td>-3.75</td> <td>-4.00</td> </tr> </tbody> </table> | | 0.00 | -0.25 | -0.50 | -0.75 | -1.00 | -1.25 | -1.50 | -1.75 | -2.00 | -2.25 | -2.50 | -2.75 | -3.00 | -3.25 | -3.50 | -3.75 | -4.00 | S P H E R E S | 50 | | | | | | | | | | | | | | | | | | 25 | +4.00 | 75 | 50 | 25 | +3.00 | 75 | 50 | 25 | +2.00 | 75 | 50 | 25 | +1.00 | 75 | 50 | 25 | PLANO | 25 | 50 | 75 | -1.00 | 25 | 50 | 75 | -2.00 | 25 | 50 | 75 | -3.00 | 25 | 50 | 75 | -4.00 | | 0.00 | -0.25 | -0.50 | -0.75 | -1.00 | -1.25 | -1.50 | -1.75 | -2.00 | -2.25 | -2.50 | -2.75 | -3.00 | -3.25 | -3.50 | -3.75 | -4.00 |
|--|---|-------|-------|-------|-------|-------|-------|-------|-------|-------|-------|-------|-------|-------|-------|-------|-------|-------|-------|---------------------------------|----|--|--|--|--|--|--|--|--|--|--|--|--|--|--|--|--|--|----|-------|----|----|----|-------|----|----|----|-------|----|----|----|-------|----|----|----|-------|----|----|----|-------|----|----|----|-------|----|----|----|-------|----|----|----|-------|--|------|-------|-------|-------|-------|-------|-------|-------|-------|-------|-------|-------|-------|-------|-------|-------|-------|
| | 0.00 | -0.25 | -0.50 | -0.75 | -1.00 | -1.25 | -1.50 | -1.75 | -2.00 | -2.25 | -2.50 | -2.75 | -3.00 | -3.25 | -3.50 | -3.75 | -4.00 | | | | | | | | | | | | | | | | | | | | | | | | | | | | | | | | | | | | | | | | | | | | | | | | | | | | | | | | | | | | | | | | | | | | | | | | | |
| S P H E R E S | 50 | | | | | | | | | | | | | | | | | | | | | | | | | | | | | | | | | | | | | | | | | | | | | | | | | | | | | | | | | | | | | | | | | | | | | | | | | | | | | | | | | | | | | | | | | |
| | 25 | | | | | | | | | | | | | | | | | | | | | | | | | | | | | | | | | | | | | | | | | | | | | | | | | | | | | | | | | | | | | | | | | | | | | | | | | | | | | | | | | | | | | | | | | |
| | +4.00 | | | | | | | | | | | | | | | | | | | | | | | | | | | | | | | | | | | | | | | | | | | | | | | | | | | | | | | | | | | | | | | | | | | | | | | | | | | | | | | | | | | | | | | | | |
| | 75 | | | | | | | | | | | | | | | | | | | | | | | | | | | | | | | | | | | | | | | | | | | | | | | | | | | | | | | | | | | | | | | | | | | | | | | | | | | | | | | | | | | | | | | | | |
| | 50 | | | | | | | | | | | | | | | | | | | | | | | | | | | | | | | | | | | | | | | | | | | | | | | | | | | | | | | | | | | | | | | | | | | | | | | | | | | | | | | | | | | | | | | | | |
| | 25 | | | | | | | | | | | | | | | | | | | | | | | | | | | | | | | | | | | | | | | | | | | | | | | | | | | | | | | | | | | | | | | | | | | | | | | | | | | | | | | | | | | | | | | | | |
| | +3.00 | | | | | | | | | | | | | | | | | | | | | | | | | | | | | | | | | | | | | | | | | | | | | | | | | | | | | | | | | | | | | | | | | | | | | | | | | | | | | | | | | | | | | | | | | |
| | 75 | | | | | | | | | | | | | | | | | | | | | | | | | | | | | | | | | | | | | | | | | | | | | | | | | | | | | | | | | | | | | | | | | | | | | | | | | | | | | | | | | | | | | | | | | |
| | 50 | | | | | | | | | | | | | | | | | | | | | | | | | | | | | | | | | | | | | | | | | | | | | | | | | | | | | | | | | | | | | | | | | | | | | | | | | | | | | | | | | | | | | | | | | |
| | 25 | | | | | | | | | | | | | | | | | | | | | | | | | | | | | | | | | | | | | | | | | | | | | | | | | | | | | | | | | | | | | | | | | | | | | | | | | | | | | | | | | | | | | | | | | |
| | +2.00 | | | | | | | | | | | | | | | | | | | | | | | | | | | | | | | | | | | | | | | | | | | | | | | | | | | | | | | | | | | | | | | | | | | | | | | | | | | | | | | | | | | | | | | | | |
| | 75 | | | | | | | | | | | | | | | | | | | | | | | | | | | | | | | | | | | | | | | | | | | | | | | | | | | | | | | | | | | | | | | | | | | | | | | | | | | | | | | | | | | | | | | | | |
| 50 | | | | | | | | | | | | | | | | | | | | | | | | | | | | | | | | | | | | | | | | | | | | | | | | | | | | | | | | | | | | | | | | | | | | | | | | | | | | | | | | | | | | | | | | | | |
| 25 | | | | | | | | | | | | | | | | | | | | | | | | | | | | | | | | | | | | | | | | | | | | | | | | | | | | | | | | | | | | | | | | | | | | | | | | | | | | | | | | | | | | | | | | | | |
| +1.00 | | | | | | | | | | | | | | | | | | | | | | | | | | | | | | | | | | | | | | | | | | | | | | | | | | | | | | | | | | | | | | | | | | | | | | | | | | | | | | | | | | | | | | | | | | |
| 75 | | | | | | | | | | | | | | | | | | | | | | | | | | | | | | | | | | | | | | | | | | | | | | | | | | | | | | | | | | | | | | | | | | | | | | | | | | | | | | | | | | | | | | | | | | |
| 50 | | | | | | | | | | | | | | | | | | | | | | | | | | | | | | | | | | | | | | | | | | | | | | | | | | | | | | | | | | | | | | | | | | | | | | | | | | | | | | | | | | | | | | | | | | |
| 25 | | | | | | | | | | | | | | | | | | | | | | | | | | | | | | | | | | | | | | | | | | | | | | | | | | | | | | | | | | | | | | | | | | | | | | | | | | | | | | | | | | | | | | | | | | |
| PLANO | | | | | | | | | | | | | | | | | | | | | | | | | | | | | | | | | | | | | | | | | | | | | | | | | | | | | | | | | | | | | | | | | | | | | | | | | | | | | | | | | | | | | | | | | | |
| 25 | | | | | | | | | | | | | | | | | | | | | | | | | | | | | | | | | | | | | | | | | | | | | | | | | | | | | | | | | | | | | | | | | | | | | | | | | | | | | | | | | | | | | | | | | | |
| 50 | | | | | | | | | | | | | | | | | | | | | | | | | | | | | | | | | | | | | | | | | | | | | | | | | | | | | | | | | | | | | | | | | | | | | | | | | | | | | | | | | | | | | | | | | | |
| 75 | | | | | | | | | | | | | | | | | | | | | | | | | | | | | | | | | | | | | | | | | | | | | | | | | | | | | | | | | | | | | | | | | | | | | | | | | | | | | | | | | | | | | | | | | | |
| -1.00 | | | | | | | | | | | | | | | | | | | | | | | | | | | | | | | | | | | | | | | | | | | | | | | | | | | | | | | | | | | | | | | | | | | | | | | | | | | | | | | | | | | | | | | | | | |
| 25 | | | | | | | | | | | | | | | | | | | | | | | | | | | | | | | | | | | | | | | | | | | | | | | | | | | | | | | | | | | | | | | | | | | | | | | | | | | | | | | | | | | | | | | | | | |
| 50 | | | | | | | | | | | | | | | | | | | | | | | | | | | | | | | | | | | | | | | | | | | | | | | | | | | | | | | | | | | | | | | | | | | | | | | | | | | | | | | | | | | | | | | | | | |
| 75 | | | | | | | | | | | | | | | | | | | | | | | | | | | | | | | | | | | | | | | | | | | | | | | | | | | | | | | | | | | | | | | | | | | | | | | | | | | | | | | | | | | | | | | | | | |
| -2.00 | | | | | | | | | | | | | | | | | | | | | | | | | | | | | | | | | | | | | | | | | | | | | | | | | | | | | | | | | | | | | | | | | | | | | | | | | | | | | | | | | | | | | | | | | | |
| 25 | | | | | | | | | | | | | | | | | | | | | | | | | | | | | | | | | | | | | | | | | | | | | | | | | | | | | | | | | | | | | | | | | | | | | | | | | | | | | | | | | | | | | | | | | | |
| 50 | | | | | | | | | | | | | | | | | | | | | | | | | | | | | | | | | | | | | | | | | | | | | | | | | | | | | | | | | | | | | | | | | | | | | | | | | | | | | | | | | | | | | | | | | | |
| 75 | | | | | | | | | | | | | | | | | | | | | | | | | | | | | | | | | | | | | | | | | | | | | | | | | | | | | | | | | | | | | | | | | | | | | | | | | | | | | | | | | | | | | | | | | | |
| -3.00 | | | | | | | | | | | | | | | | | | | | | | | | | | | | | | | | | | | | | | | | | | | | | | | | | | | | | | | | | | | | | | | | | | | | | | | | | | | | | | | | | | | | | | | | | | |
| 25 | | | | | | | | | | | | | | | | | | | | | | | | | | | | | | | | | | | | | | | | | | | | | | | | | | | | | | | | | | | | | | | | | | | | | | | | | | | | | | | | | | | | | | | | | | |
| 50 | | | | | | | | | | | | | | | | | | | | | | | | | | | | | | | | | | | | | | | | | | | | | | | | | | | | | | | | | | | | | | | | | | | | | | | | | | | | | | | | | | | | | | | | | | |
| 75 | | | | | | | | | | | | | | | | | | | | | | | | | | | | | | | | | | | | | | | | | | | | | | | | | | | | | | | | | | | | | | | | | | | | | | | | | | | | | | | | | | | | | | | | | | |
| -4.00 | | | | | | | | | | | | | | | | | | | | | | | | | | | | | | | | | | | | | | | | | | | | | | | | | | | | | | | | | | | | | | | | | | | | | | | | | | | | | | | | | | | | | | | | | | |
| | 0.00 | -0.25 | -0.50 | -0.75 | -1.00 | -1.25 | -1.50 | -1.75 | -2.00 | -2.25 | -2.50 | -2.75 | -3.00 | -3.25 | -3.50 | -3.75 | -4.00 | | | | | | | | | | | | | | | | | | | | | | | | | | | | | | | | | | | | | | | | | | | | | | | | | | | | | | | | | | | | | | | | | | | | | | | | | |
| <p>Front Surface Ink Markings: 32mm dotted circle positioned 21.5 mm below Geometric Centre</p> | | | | | | | | | | | | | | | | | | | | | | | | | | | | | | | | | | | | | | | | | | | | | | | | | | | | | | | | | | | | | | | | | | | | | | | | | | | | | | | | | | | | | | | | | | |
| | | | | | | | | | | | | | | | | | | | | | | | | | | | | | | | | | | | | | | | | | | | | | | | | | | | | | | | | | | | | | | | | | | | | | | | | | | | | | | | | | | | | | | | | | | |
| <p>Back Surface Coding:</p> | | | | | | | | | | | | | | | | | | | | | | | | | | | | | | | | | | | | | | | | | | | | | | | | | | | | | | | | | | | | | | | | | | | | | | | | | | | | | | | | | | | | | | | | | | |
| | | | | | | | | | | | | | | | | | | | | | | | | | | | | | | | | | | | | | | | | | | | | | | | | | | | | | | | | | | | | | | | | | | | | | | | | | | | | | | | | | | | | | | | | | | |

| | |
|------------------------------|---------------------------------------|
| Document Number: 0101145.FS2 | Reviewed by: Geoff Riley, 10 May 2017 |
| For External Distribution | Page 2 of 2 |

PRODUCT FACT SHEET



| | |
|---------------------|---|
| Product Name | synchrony Semi-Finished Round Seg Bifocal 76 x 24mm 1.5 |
|---------------------|---|

Customer Product Codes

| Product | CAT Code: | LGC: | LGC Description: | Notes: | FDA: |
|-------------|-----------|-------|---------------------------|--------------|--------------------------|
| Uncoated | 677 | L2033 | SYNC SF B RS24 15 UNC --- | COO required | Yes, disclaimer required |
| Hard Coated | 779 | L2193 | SYNC SF B RS24 15 HC --- | | |

Product Range:

| Nominal Diameter (mm) | Nominal Seg Size (mm) | Nominal Base Curve (D) | Add Power Range (D) | Recommended Rx Range (D) |
|-----------------------|-----------------------|------------------------|---------------------|--------------------------|
| 76 | 24 | 4.00 | 1.00 to 3.00 | -4.00 to -2.25 |
| | | 6.00 | 1.00 to 3.00 | -2.00 to +2.00 |
| | | 8.00 | 1.00 to 3.00 | +2.25 to +4.50 |

Material & Coating Specifications:

| | |
|----------------------------|---|
| Type | 1.5 Polymer |
| Refractive Index | $n_d = 1.499$ $n_e = 1.500$ |
| Abbe Number | $v_d = 58$ $v_e = 56$ |
| Density | 1.32 g/cm ³ |
| UV Protection (ISO) | UVA : 91 %, UVB : 100 % 2.0 mm Centre Thickness |
| Coating Type | Uncoated & Hard Coated |

Lens Geometry:

| Nominal Base | True Front Curve (D) (1.530) | Radii (mm) | Nominal Back Curve (D) | Centre Thickness (mm) (± 1.0) | Nominal Edge Thickness (mm) | Nominal Packaged Weight (g) |
|--------------|------------------------------|------------|------------------------|-------------------------------------|-----------------------------|-----------------------------|
| 4.00 | 3.68 | 144.02 | -6.00 | 11.5 | 15.0 | 91 |
| 6.00 | 5.92 | 89.53 | -6.00 | 8.9 | 9.0 | 64 |
| 8.00 | 8.01 | 66.17 | -6.00 | 12.4 | 9.0 | 76 |

Surfacing: Recommended centre & edge thicknesses for all regions:

| Power Range (D) | USA Market Minimum Centre Thickness (mm) | Int'l Market Minimum Centre Thickness (mm) | Minimum Edge Thickness (mm) |
|-----------------|--|--|-----------------------------|
| -4.00 to -2.00 | 2.0 | 1.5 | |
| -1.75 to +2.00 | 2.0 or * | 2.0 or * | 1.0 * |
| +2.25 to +4.00 | | | 1.0 |
| +4.25 to +4.50 | | | 0.5 |

* Thicknesses are based on whichever is the limiting factor

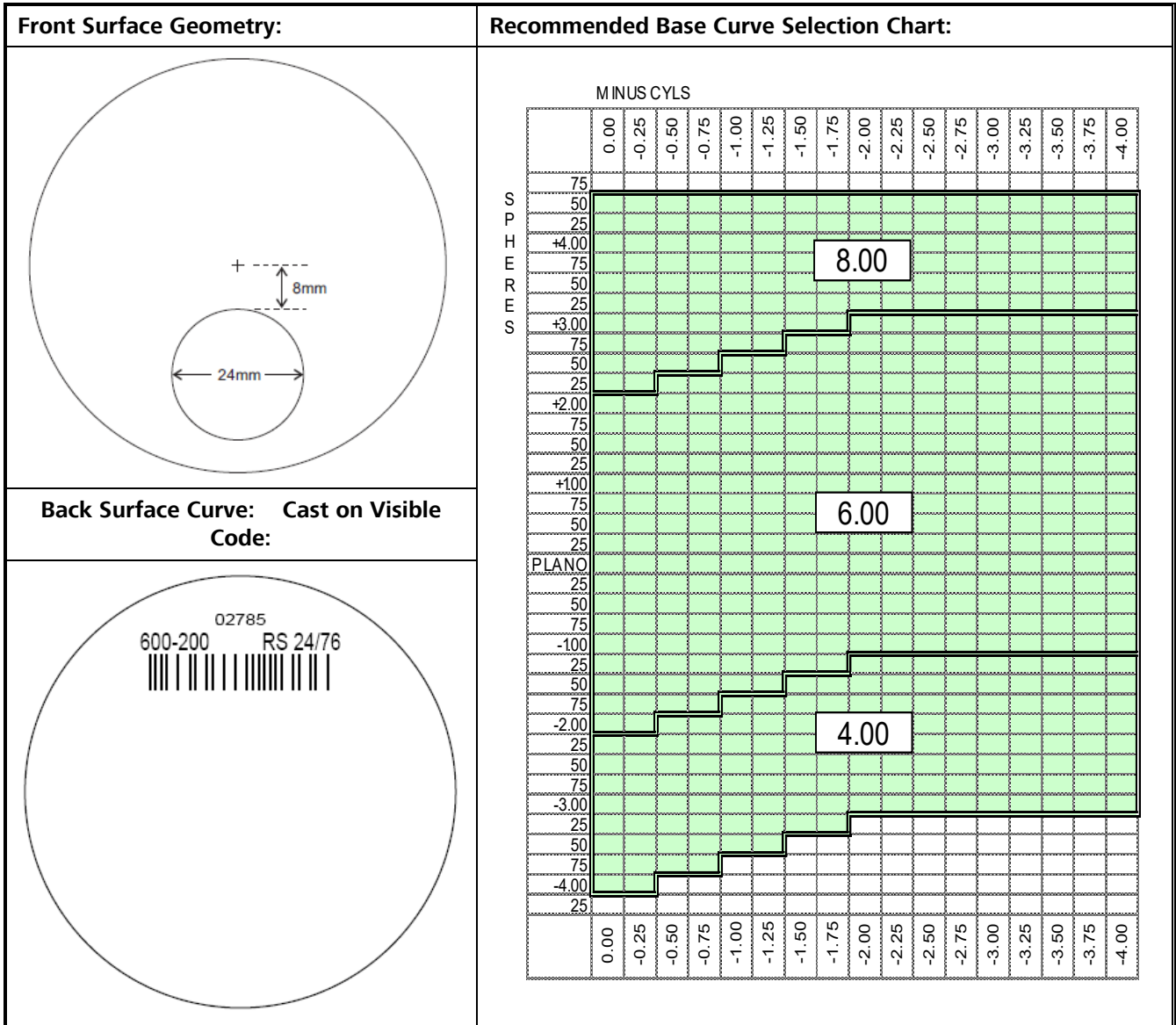
| | |
|------------------------------|---------------------------------------|
| Document Number: 0101114.FS3 | Reviewed by: Geoff Riley, 12 May 2017 |
| For External Distribution | Page 1 of 2 |

PRODUCT FACT SHEET



| | |
|---------------------|---|
| Product Name | synchrony Semi-Finished Round Seg Bifocal 76 x 24mm 1.5 |
|---------------------|---|

Ink Markings: None



| | |
|------------------------------|---------------------------------------|
| Document Number: 0101114.FS3 | Reviewed by: Geoff Riley, 12 May 2017 |
| For External Distribution | Page 2 of 2 |

PRODUCT FACT SHEET



| | |
|---------------------|--|
| Product Name | synchrony Semi-Finished E-Line Bifocal 1.5 |
|---------------------|--|

Customer Product Codes

| Product | CAT Code: | LGC: | LGC Description: | Notes: | FDA: |
|-----------------|-----------|-------|--------------------------|--------------|--------------------------|
| Uncoated (68mm) | 045 | L2019 | SYNC SF B E-L 15 UNC --- | COO required | Yes, disclaimer required |
| HC (PG 78mm) | 780 | L2194 | SYNC SF B E-L 15 PG --- | | |

Product Range:

| Nominal Diameter (mm) | Nominal Base Curve (D) | Add Power Range (D) | Recommended Rx Range (D) |
|-----------------------|------------------------|---------------------|--------------------------|
| 68 only | 2.50 | 1.00 to 3.00 | -7.00 to -4.50 |
| 68 & 78 | 4.00 | 1.00 to 3.00 | -2.00 to -0.25 |
| 68 & 78 | 6.00 | 0.75 to 3.00 | 0.00 to +4.00 |

Material & Coating Specifications:

| | | |
|----------------------------|---|---------------|
| Type | 1.5 Polymer | |
| Refractive Index | $n_d = 1.499$ | $n_e = 1.500$ |
| Abbe Number | $v_d = 58$ | $v_e = 56$ |
| Density | 1.32 g/cm ³ | |
| UV Protection (ISO) | UVA : 91 %, UVB : 100 % 2.0 mm Centre Thickness | |
| Coating Type | Uncoated & Hardcoated | |

Lens Geometry:

| Nominal Base | True Front Curve (D) (1.530) | Radii (mm) | Nominal Back Curve (D) | Centre Thickness (mm) (± 1.0 mm) ^{Note 1} | | Nominal Edge Thickness at 'D'(mm) | |
|--------------|------------------------------|------------|------------------------|---|------|-----------------------------------|------|
| | | | | 78mm | 68mm | 78mm | 68mm |
| 2.50 | 2.15 | 246.51 | -6.00 | n/a | 8.5 | n/a | 12.0 |
| 4.00 | 3.68 | 144.02 | -6.00 | 7.7 | 9.5 | 11.0 | 12.0 |
| 6.00 | 5.92 | 89.53 | -6.00 | 11.2 | 9.5 | 11.0 | 9.5 |

Note 1: These values are based on the 100 Add power for each base. The Higher Adds will typically have a thicker centre thickness, but should still be acceptable even if thicker than tolerance

Surfacing: Recommended centre & edge thicknesses for all regions:

| Power Range (D) | USA Market Minimum Centre Thickness (mm) | Int'l Market Minimum Centre Thickness (mm) | Minimum Edge Thickness (mm) |
|-----------------|--|--|-----------------------------|
| -7.00 to -2.00 | 2.0 | 1.5 | |
| -1.75 to +2.0 | 2.0 or * | 2.0 or * | 1.0 * |
| +2.25 to +4.00 | | | 1.0 |

* Thicknesses are based on whichever is the limiting factor

Recommended Range Chart:

| | |
|------------------------------|---------------------------------------|
| Document Number: 0101118.FS5 | Reviewed by: Geoff Riley, 09 May 2017 |
| For External Distribution | Page 1 of 2 |

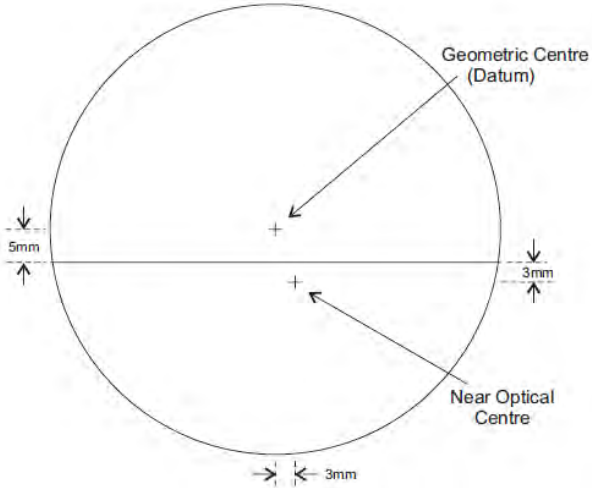
PRODUCT FACT SHEET



Product Name

synchrony Semi-Finished E-Line Bifocal 1.5

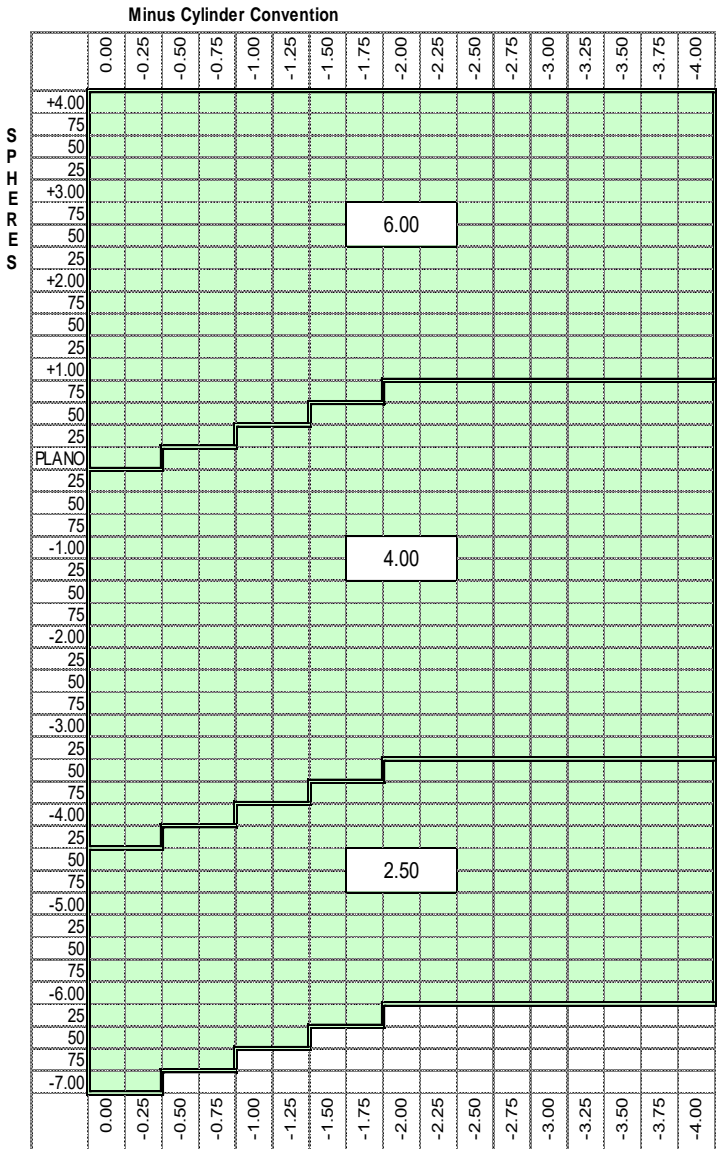
Lens Geometry:



Back Surface Coding:



Recommended Range Chart:



Document Number: 0101118.FS5

Reviewed by: Geoff Riley, 09 May 2017

For External Distribution

Page 2 of 2

PRODUCT FACT SHEET



| | |
|---------------------|--|
| Product Name | Finished Flat Top Bifocal 1.5 UC 68 x 28mm |
|---------------------|--|

1. Customer Product Codes

| CAT Code | LGC | LGC Description | Notes | FDA |
|----------|-------|-----------------------------|-------------------------------------|-----|
| 356 | L3308 | SYNC F B FT28 15 UNC 68 --- | Country of Origin required on Label | Yes |

2. Material & Coating Specifications:

| | | |
|----------------------------|---|---------------|
| Type | 1.5 Polymer | |
| Refractive Index | $n_d = 1.499$ | $n_e = 1.500$ |
| Abbe Number | $v_d = 58$ | $v_e = 56$ |
| Density | 1.32 g/cm ³ | |
| UV Protection (ISO) | UVA : 94 %, UVB : 100 % 2.0 mm Centre Thickness | |
| Coating Type | Uncoated | |

3. **Product Markings:** None

4. **Product Range:** 68mm x28mm seg.

| Sphere Powers (D) | Increment (D) | Add Powers (D) | Add Increment (D) |
|-------------------|---------------|----------------|-------------------|
| 0.00 to +3.00 | 0.25 | 1.00 to 3.00 | 0.25 |

5. Lens Geometry:

| <i>Nominal Values : 68mm Plus Range (Sphere Geometry) in 1.530 Index</i> | | | | | |
|--|--------------------------|----------------|------------------|---------------------|--------------------------|
| Power (D) | Distance Front Curve (D) | Back Curve (D) | Centre Thickness | Ave. Edge Thickness | Nom. Packaged Weight (g) |
| +3.00 | +7.47 | -4.50 | 6.0 | 2.3 | 23 |
| +2.75 | +7.23 | -4.50 | 5.6 | 2.3 | 22 |
| +2.50 | +6.99 | -4.50 | 5.2 | 2.2 | 21 |
| +2.25 | +6.75 | -4.50 | 4.9 | 2.2 | 20 |
| +2.00 | +6.99 | -5.00 | 4.4 | 2.0 | 19 |
| +1.75 | +6.74 | -5.00 | 4.1 | 2.0 | 18 |
| +1.50 | +6.49 | -5.00 | 3.7 | 1.9 | 17 |
| +1.25 | +6.24 | -5.00 | 3.4 | 1.9 | 16 |
| +1.00 | +6.71 | -5.75 | 3.4 | 2.2 | 17 |
| +0.75 | +6.46 | -5.75 | 3.1 | 2.2 | 16 |
| +0.50 | +6.22 | -5.75 | 2.7 | 2.1 | 14 |
| +0.25 | +5.96 | -5.75 | 2.4 | 2.1 | 14 |
| 0.00 | +5.71 | -5.75 | 2.1 | 2.0 | 12 |

+ = Geometric Centre
x = Optical Centre

| | |
|------------------------------|---------------------------------------|
| Document Number: 0101207.FS1 | Reviewed by: Geoff Riley, 30 Mar 2016 |
| For External Distribution | Page 1 of 1 |

PRODUCT FACT SHEET



| | |
|---------------------|---|
| Product Name | synchrony Semi-Finished Flat-Top Bifocal 66 x 28mm 1.523 Mineral White & PhotoGray Extra |
|---------------------|---|

Customer Product Codes

| Product: | CAT Code: | LGC: | LGC Description: | Notes: | FDA: |
|----------|-----------|-------|-----------------------------------|--------------|--------------------------|
| White | 040 | L2014 | SYNC SF B FT28 M15 UNC --- | COO required | Yes, disclaimer required |
| PGX | 041 | L2015 | SYNC SF B FT28 M15 PH GRY UNC G-- | | |

Product Range:

| Nominal Diameter (mm) | Nominal Base Curve (D) | Add Power Range (D) | Recommended Rx Range (D) |
|-----------------------|------------------------|---------------------|--------------------------|
| 66 | 4.25 | 0.75 to 4.00 | -4.00 to -2.25 |
| 66 | 6.25 | 0.75 to 4.00 | -2.00 to +2.00 |
| 66 | 8.25 | 0.75 to 4.00 | +2.25 to +5.50 |

Material & Coating Specifications:

| Type | White Glass | PhotoGray Extra Glass |
|----------------------------|---|---|
| Refractive Index | $n_d = 1.523$ $n_e = 1.525$ | $n_d = 1.523$ $n_e = 1.525$ |
| Abbe Number | $v_d = 59$ $v_e = 58$ | $v_d = 57$ $v_e = 57$ |
| Density | 2.54 g/cm ³ | 2.41 g/cm ³ |
| UV Protection (ISO) | UVA : 20 %, UVB : 79 % 1.5 mm Centre Thickness | UVA : 97 %, UVB : 100 % Activated, 1.5 mm Centre Thickness |
| Coating Type | Uncoated | |

Lens Geometry:

| Nominal Base | True Front Curve (1.530) (D) | True Front Radii (mm) | Nominal Back Curve (D) | Centre Thickness (± 1.0mm) | Nominal Edge Thickness (mm) |
|--------------|------------------------------|-----------------------|------------------------|----------------------------|-----------------------------|
| 4.25 | 4.15 | 127.71 | -6.00 | 7.8 | 8.9 |
| 6.25 | 6.20 | 85.48 | -6.00 | 6.8 | 5.5 |
| 8.25 | 8.17 | 64.87 | -6.00 | 7.5 | 4.9 |

Surfacing: Recommended centre & edge thicknesses for all regions:

| Power Range (D) | Minimum Centre Thickness (mm) | Minimum Edge Thickness (mm) |
|-----------------|-------------------------------|-----------------------------|
| -4.00 to -1.00 | 2.0 | |
| -0.75 to +2.75 | 2.0* | 1.7* |
| +3.00 to +5.50 | | 1.7 |

* Thicknesses are based on whichever is the limiting factor

| | |
|------------------------------|---------------------------------------|
| Document Number: 0102066.FS2 | Reviewed by: Geoff Riley, 02 Jun 2017 |
| For External Distribution | Page 1 of 2 |

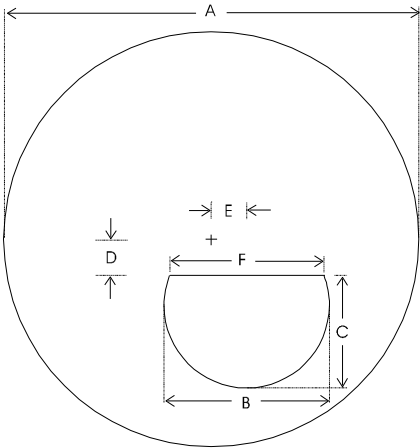
PRODUCT FACT SHEET



Product Name

synchrony Semi-Finished Flat-Top Bifocal 66 x 28mm
1.523 Mineral White & Photogray Extra

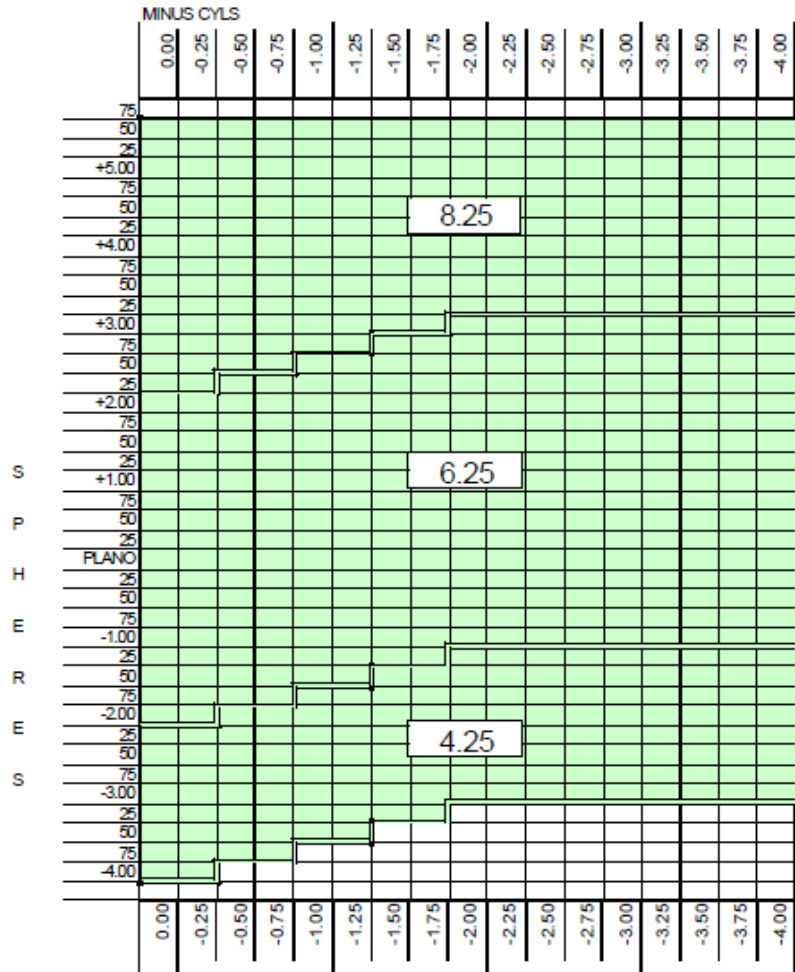
Lens Geometry continued:



| Code | Description | Value (mm) |
|------|----------------------|------------|
| A | Nominal Diameter | 66 |
| B | Seg Diameter | 28.0 |
| C | Seg Depth | 23.0 |
| D | Distance Below Datum | 4.0 |
| E | Inset From Datum | 5.5 |
| F * | Seg Line Length | 21.5 |

* Seg dimensions vary slightly as a function of add power. Nominal value only shown.

Recommended Base Curve Selection Chart:



Product Markings: None

| | |
|------------------------------|---------------------------------------|
| Document Number: 0102066.FS2 | Reviewed by: Geoff Riley, 02 Jun 2017 |
| For External Distribution | Page 2 of 2 |

PRODUCT FACT SHEET



| | |
|---------------------|---|
| Product Name | synchrony Semi-Finished Flat-Top Bifocal 71 x 28mm 1.523 Mineral White & PhotoGray Extra |
|---------------------|---|

Customer Product Codes

| Product: | CAT Code: | LGC: | LGC Description: | Notes: | FDA: |
|----------|-----------|-------|-----------------------------------|--------------|--------------------------|
| White | 044 | L2018 | SYNC SF B FT28 M15 UNC --- | COO required | Yes, disclaimer required |
| PGX | 046 | L2020 | SYNC SF B FT28 M15 PH GRY UNC G-- | | |

Product Range:

| Nominal Diameter (mm) | Nominal Base Curve (D) | Add Power Range (D) | Recommended Rx Range (D) |
|-----------------------|------------------------|---------------------|--------------------------|
| 71 | 2.00 | 1.00 to 3.00 | -7.00 to -4.25 |
| 71 | 4.25 | 1.00 to 3.50 | -4.00 to -2.25 |
| 71 | 6.25 | 1.00 to 3.50 | -2.00 to +2.00 |
| 71 | 8.25 | 1.00 to 3.50 | +2.25 to +5.50 |

Material & Coating Specifications:

| Type | White Glass | PhotoGray Extra Glass |
|----------------------------|---|---|
| Refractive Index | $n_d = 1.523$ $n_e = 1.525$ | $n_d = 1.523$ $n_e = 1.525$ |
| Abbe Number | $v_d = 59$ $v_e = 58$ | $v_d = 57$ $v_e = 57$ |
| Density | 2.54 g/cm ³ | 2.41 g/cm ³ |
| UV Protection (ISO) | UVA : 20 %, UVB : 79 % 1.5 mm Centre Thickness | UVA : 97 %, UVB : 100 % Activated, 1.5 mm Centre Thickness |
| Coating Type | Uncoated | |

Lens Geometry:

| Nominal Base | True Front Curve (1.530) (D) | True Front Radii (mm) | Nominal Back Curve (D) | Centre Thickness (± 1.0 mm) | Nominal Edge Thickness (mm) |
|--------------|------------------------------|-----------------------|------------------------|----------------------------------|-----------------------------|
| 2.00 | 2.00 | 265 | -6.00 | 8.7 | 13.3 |
| 4.25 | 4.15 | 127.71 | -6.00 | 8.0 | 9.9 |
| 6.25 | 6.20 | 85.48 | -6.00 | 7.1 | 6.3 |
| 8.25 | 8.17 | 64.87 | -6.00 | 10.0 | 5.8 |

Surfacing: Recommended centre & edge thicknesses for all regions:

| Power Range (D) | Minimum Centre Thickness (mm) | Minimum Edge Thickness (mm) |
|-----------------|-------------------------------|-----------------------------|
| -7.00 to -1.00 | 2.0 | |
| -0.75 to +2.75 | 2.0* | 1.7* |
| +3.00 to +5.50 | | 1.7 |

* Thicknesses are based on whichever is the limiting factor

| | |
|------------------------------|---------------------------------------|
| Document Number: 0102069.FS2 | Reviewed by: Geoff Riley, 20 Jul 2017 |
| For External Distribution | Page 1 of 2 |

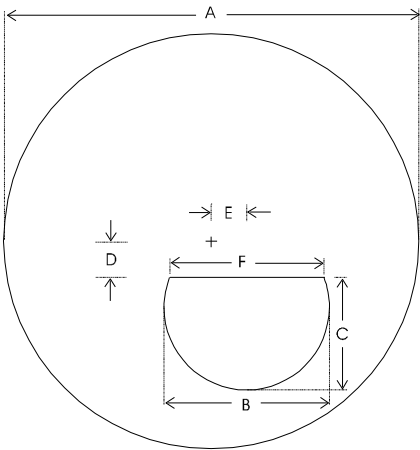
PRODUCT FACT SHEET



Product Name

synchrony Semi-Finished Flat-Top Bifocal 71 x 28mm
1.523 Mineral White & Photogray Extra

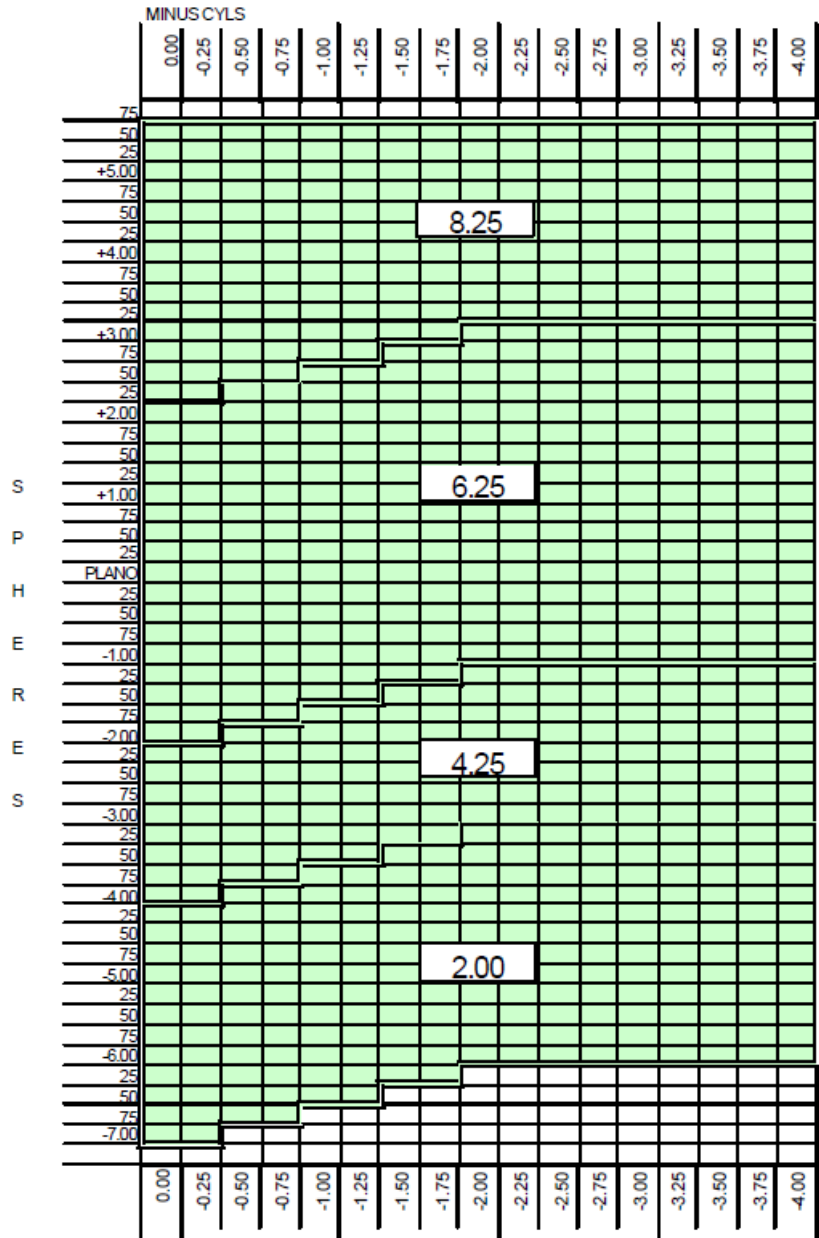
Lens Geometry continued:



| Code | Description | Value (mm) |
|------|----------------------|------------|
| A | Nominal Diameter | 71 |
| B | Seg Diameter | 28.0 |
| C | Seg Depth | 23.0 |
| D | Distance Below Datum | 6.0 |
| E | Inset From Datum | 7.0 |
| F * | Seg Line Length | 21.5 |

* Seg dimensions vary slightly as a function of add power. Nominal value only shown.

Recommended Base Curve Selection Chart:



Product Markings: None

| | |
|------------------------------|---------------------------------------|
| Document Number: 0102069.FS2 | Reviewed by: Geoff Riley, 20 Jul 2017 |
| For External Distribution | Page 2 of 2 |

PRODUCT FACT SHEET



| | |
|---------------------|--|
| Product Name | synchrony Semi-Finished FLAT-TOP Trifocal 76 x 7 x 28mm 1.5 Photochromic |
|---------------------|--|

1. Customer Product Codes

| CAT Code: | LGC: | LGC Description: | Notes: | FDA: |
|-----------|-------|----------------------------------|-------------------------------------|----------------------------|
| C25 | L6852 | SYNC SF T FTT28 15 PH GRY HC B-- | Country of Origin required on Label | US FDA disclaimer Required |

2. Product Range:

| Nominal Diameter (mm) | Nominal Base Curve (D) | Add Power Range (D) | Rx Range Recommended (D) |
|-----------------------|------------------------|---------------------|--------------------------|
| 76 | 4.00 | 1.50 to 3.00 | -4.00 to -2.25 |
| 76 | 6.00 | 1.50 to 3.00 | -2.00 to +2.00 |
| 76 | 8.00 | 1.50 to 3.00 | +2.25 to +6.00 |

3. Material & Coating Specifications:

| Type | 1.5 Photochromic |
|--------------------------------------|---|
| Refractive Index | $n_d = 1.502$ $n_e = 1.504$ |
| Abbe Number | $v_d = 54$ $v_e = 52$ |
| Density | 1.18 g/cm ³ |
| Luminous Transmittance (clear state) | ≥ 87% |
| UV Protection (ISO) | Coated, Activated : 2.0 mm Centre Thickness: UVA : 100 %, UVB : 100 % |
| Coating Type | Hard Coated |

4. Lens Geometry: Curves measured in 1.530 Index, at the Geometric Centre

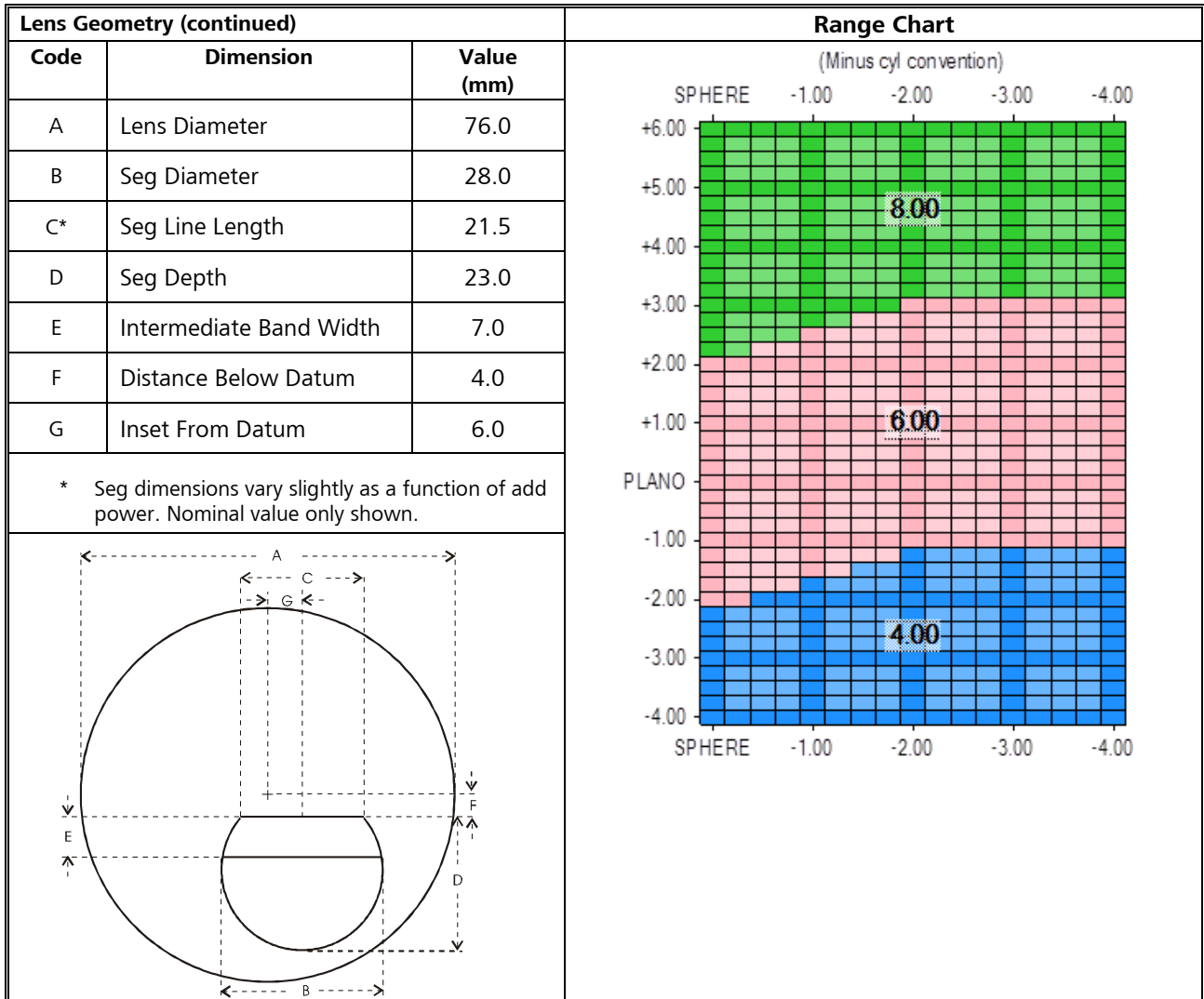
| Nominal Base | True Front Curve (D) | Radii (mm) | Nominal Back Curve (D) | Centre Thickness (mm) (± 1.0mm) | Nominal Edge Thickness (mm) | Nominal Packaged weight (g) |
|--------------|----------------------|------------|------------------------|---------------------------------|-----------------------------|-----------------------------|
| 4.00 | 3.68 | 144.02 | -6.00 | 11.4 | 14.7 | 86 |
| 6.00 | 5.89 | 89.98 | -6.00 | 8.9 | 9.0 | 66 |
| 8.00 | 8.01 | 66.17 | -6.00 | 12.4 | 9.0 | 77 |

| | |
|----------------------------|---------------------------------------|
| Document Number: 00596.FS2 | Reviewed by: Geoff Riley, 02 Sep 2016 |
| For External Distribution | Page 1 of 3 |

PRODUCT FACT SHEET



| | |
|---------------------|--|
| Product Name | synchrony Semi-Finished FLAT-TOP Trifocal 76 x 7 x 28mm 1.5 Photochromic |
|---------------------|--|



5. Surfacing: Recommended centre & edge thicknesses for all regions:

| Power Range (D) | USA Market Minimum Centre Thickness | Int'l Market Minimum Centre Thickness (mm) | All Markets Minimum Edge Thickness (mm) |
|---------------------|-------------------------------------|--|---|
| High Minus to -2.00 | 2.0 | 2.0 | |
| -1.75 to +2.00 | 2.0 or * | 2.0 or * | 1.5 * |
| +2.25 to High Pus | | | 1.5 |

* Thicknesses are based on whichever is the limiting factor

| | |
|----------------------------|---------------------------------------|
| Document Number: 00596.FS2 | Reviewed by: Geoff Riley, 02 Sep 2016 |
| For External Distribution | Page 2 of 3 |

PRODUCT FACT SHEET



| | |
|---------------------|--|
| Product Name | synchrony Semi-Finished FLAT-TOP Trifocal 76 x 7 x 28mm 1.5 Photochromic |
|---------------------|--|

6. Product Markings: Samples

| Permanent Markings – Front Surface | Permanent Markings – Back Surface |
|------------------------------------|--|
| <p>600-100R XXXX</p> | <p>20865 600-200 R FTT 28 H-PF</p> |

| | |
|----------------------------|---------------------------------------|
| Document Number: 00596.FS2 | Reviewed by: Geoff Riley, 02 Sep 2016 |
| For External Distribution | Page 3 of 3 |

PRODUCT FACT SHEET



| | |
|---------------------|---|
| Product Name | synchrony Semi-Finished Flat-Top Trifocal 72 x 7 x 28mm 1.5 |
|---------------------|---|

Customer Product Codes

| Product | CAT Code: | LGC: | LGC Description: | Notes: | FDA: |
|-------------|-----------|-------|----------------------------|--------------|--------------------------|
| Uncoated | 227 | L2059 | SYNC SF T FTT28 15 UNC --- | COO required | Yes, disclaimer required |
| Hard Coated | 512 | L2135 | SYNC SF T FTT28 15 HC --- | | |

Product Range:

| Nominal Diameter (mm) * | Nominal Base Curve (D) | Add Power Range (D) | Recommended Rx Range (D) |
|-------------------------|------------------------|---------------------|--------------------------|
| 72 | 2.50 | 1.50 to 3.50 & 4.00 | -7.25 to -4.25 |
| 72 | 4.00 | 1.50 to 3.50 & 4.00 | -4.00 to -2.25 |
| 72 | 6.00 | 1.50 to 3.50 & 4.00 | -2.00 to +2.00 |
| 72 | 8.00 | 1.50 to 3.50 & 4.00 | +2.25 to +4.50 |
| 72 | 10.00 | 1.50 to 3.50 & 4.00 | +4.75 to +8.00 |

Material & Coating Specifications:

| | | |
|----------------------------|---|---------------|
| Type | 1.5 Polymer | |
| Refractive Index | $n_d = 1.499$ | $n_e = 1.500$ |
| Abbe Number | $v_d = 58$ | $v_e = 56$ |
| Density | 1.32 g/cm ³ | |
| UV Protection (ISO) | UVA : 91 %, UVB : 100 % 2.0 mm Centre Thickness | |
| Coating Type | Uncoated & Hard Coated | |

Lens Geometry:

| | | | | | |
|--|-------------------------------------|----------------------|-------------------------------|-----------------------------------|------------------------------------|
| | Code | Description | Dimension (mm) | | |
| | A | Nominal Diameter | 72 | | |
| | B | Segment Diameter | 28.0 | | |
| | C * | Segment Line Width | 21.5 | | |
| | D | Segment Depth | 23.0 | | |
| | E | Intermediate Band | 7.0 | | |
| | F | Distance Below Datum | 3.0 | | |
| | G | Inset From Datum | 7.0 | | |
| * Seg dimensions vary slightly as a function of add power. Nominal value only shown. | | | | | |
| Nominal Base | True Front Curve (D) (1.530) | Radii (mm) | Nominal Back Curve (D) | Centre Thickness (± 1.0mm) | Nominal Edge Thickness (mm) |
| 2.50 | 2.15 | 246.51 | -6.00 | 11.0 | 16.0 |
| 4.00 | 3.68 | 144.02 | -6.00 | 9.9 | 13.0 |
| 6.00 | 5.92 | 89.53 | -6.00 | 7.9 | 8.0 |
| 8.00 | 8.01 | 66.17 | -6.00 | 11.5 | 8.5 |
| 10.00 | 10.00 | 53.00 | -6.00 | 15.0 | 8.5 |

| | |
|----------------------------|---------------------------------------|
| Document Number: 00022.FS3 | Reviewed by: Geoff Riley, 12 May 2017 |
| For External Distribution | Page 1 of 2 |

PRODUCT FACT SHEET



| | |
|---------------------|---|
| Product Name | synchrony Semi-Finished Flat-Top Trifocal 72 x 7 x 28mm 1.5 |
|---------------------|---|

Surfacing: Recommended centre & edge thicknesses for all regions:

| Power Range (D) | USA Market Minimum Centre Thickness (mm) | Int'l Market Minimum Centre Thickness (mm) | Minimum Edge Thickness (mm) |
|-----------------|--|--|-----------------------------|
| -7.25 to -2.00 | 2.0 | 1.5 | |
| -1.75 to +2.00 | 2.0 or * | 2.0 or * | 1.0 * |
| +2.25 to +4.00 | | | 1.0 |
| +4.25 to +8.00 | | | 0.5 |

* Thicknesses are based on whichever is the limiting factor

Product Markings:

Ink Markings: None

| | |
|---|---|
| <p>Front Surface Curve: Top Code Only:</p> | <p>Recommended Base Curve Selection Chart:</p> |
| <p>Back Surface Curve: Cast on Visible Code:</p> | |

| | |
|----------------------------|---------------------------------------|
| Document Number: 00022.FS3 | Reviewed by: Geoff Riley, 12 May 2017 |
| For External Distribution | Page 2 of 2 |

PRODUCT FACT SHEET



| | |
|---------------------|---|
| Product Name | synchrony Semi-Finished Flat-Top Trifocal 72 x 8 x 35mm 1.5 |
|---------------------|---|

Customer Product Codes

| Product | CAT Code: | LGC: | LGC Description: | Notes: | FDA: |
|-------------|-----------|-------|----------------------------|--------------|--------------------------|
| Uncoated | 277 | L2077 | SYNC SF T FTT35 15 UNC --- | COO required | Yes, disclaimer required |
| Hard Coated | 967 | L2224 | SYNC SF T FTT35 15 HC --- | | |

Product Range:

| Nominal Diameter (mm) * | Nominal Base Curve (D) | Add Power Range (D) | Recommended Rx Range (D) |
|-------------------------|------------------------|---------------------|--------------------------|
| 72 | 4.00 | 1.50 to 3.00 | -4.00 to -2.25 |
| 72 | 6.00 | 1.50 to 3.00 | -2.00 to +2.00 |
| 72 | 8.00 | 1.50 to 3.00 | +2.25 to +4.50 |

Material & Coating Specifications:

| | | |
|----------------------------|---|---------------|
| Type | 1.5 Polymer | |
| Refractive Index | $n_d = 1.499$ | $n_e = 1.500$ |
| Abbe Number | $v_d = 58$ | $v_e = 56$ |
| Density | 1.32 g/cm ³ | |
| UV Protection (ISO) | UVA : 91 %, UVB : 100 % 2.0 mm Centre Thickness | |
| Coating Type | Uncoated & Hard Coated | |

Lens Geometry:

| | | | | | |
|--|-------------------------------------|----------------------|-------------------------------|-----------------------------------|------------------------------------|
| | Code | Description | Dimension (mm) | | |
| | A | Nominal Diameter | 72 | | |
| | B | Segment Diameter | 35.0 | | |
| | C * | Segment Line Width | 30.0 | | |
| | D | Segment Depth | 26.5 | | |
| | E | Intermediate Band | 8.0 | | |
| | F | Distance Below Datum | 3.0 | | |
| | G | Inset From Datum | 7.0 | | |
| * Seg dimensions vary slightly as a function of add power. Nominal value only shown. | | | | | |
| Nominal Base | True Front Curve (D) (1.530) | Radii (mm) | Nominal Back Curve (D) | Centre Thickness (± 1.0mm) | Nominal Edge Thickness (mm) |
| 4.00 | 3.68 | 144.02 | -6.00 | 9.9 | 13.0 |
| 6.00 | 5.92 | 89.53 | -6.00 | 7.9 | 8.0 |
| 8.00 | 8.01 | 66.17 | -6.00 | 11.5 | 8.5 |

| | |
|----------------------------|---------------------------------------|
| Document Number: 00055.FS3 | Reviewed by: Geoff Riley, 12 May 2017 |
| For External Distribution | Page 1 of 2 |

PRODUCT FACT SHEET



| | |
|---------------------|---|
| Product Name | synchrony Semi-Finished Flat-Top Trifocal 72 x 8 x 35mm 1.5 |
|---------------------|---|

Surfacing: Recommended centre & edge thicknesses for all regions:

| Power Range (D) | USA Market Minimum Centre Thickness (mm) | Int'l Market Minimum Centre Thickness (mm) | Minimum Edge Thickness (mm) |
|-----------------|--|--|-----------------------------|
| -4.00 to -2.00 | 2.0 | 1.5 | |
| -1.75 to +2.00 | 2.0 or * | 2.0 or * | 1.0 * |
| +2.25 to +4.50 | | | 1.0 |

* Thicknesses are based on whichever is the limiting factor

Product Markings:

Ink Markings: None

| | |
|--|---|
| <p>Front Surface Curve: Top Code Only:</p> <p style="text-align: center;">620R XXXX</p> | <p>Recommended Base Curve Selection Chart:</p> |
| <p>Back Surface Curve: Cast on Visible Code:</p> <p style="text-align: center;">00762 6-200 R TRI 8x35/72</p> | |

| | |
|----------------------------|---------------------------------------|
| Document Number: 00055.FS3 | Reviewed by: Geoff Riley, 12 May 2017 |
| For External Distribution | Page 2 of 2 |

PRODUCT FACT SHEET



| | |
|---------------------|---|
| Product Name | synchrony Semi-Finished E-Line Trifocal 1.5 |
|---------------------|---|

Customer Product Codes

| Product | CAT Code: | LGC: | LGC Description: | Notes: | FDA: |
|-----------------|-----------|-------|--------------------------|--------------|--------------------------|
| Uncoated (68mm) | 054 | L2023 | SYNC SF T E-L 15 UNC --- | COO required | Yes, disclaimer required |

Product Range:

| Nominal Diameter (mm) | Nominal Base Curve (D) | Add Power Range (D) | Recommended Rx Range (D) |
|-----------------------|------------------------|---------------------|--------------------------|
| 68 | 4.00 | 1.75 to 3.00 | -4.25 to -0.25 |
| 68 | 6.00 | 1.75 to 3.00 | 0.00 to +4.00 |

Material & Coating Specifications:

| | |
|----------------------------|---|
| Type | 1.5 Polymer |
| Refractive Index | $n_d = 1.499$ $n_e = 1.500$ |
| Abbe Number | $v_d = 58$ $v_e = 56$ |
| Density | 1.32 g/cm ³ |
| UV Protection (ISO) | UVA : 91 %, UVB : 100 % 2.0 mm Centre Thickness |
| Coating Type | Uncoated |

Lens Geometry:

| Nominal Base | True Front Curve (D) (1.530) | Radii (mm) | Nominal Back Curve (D) | Centre Thickness (mm) ($\pm 1.0\text{mm}$) ^{Note 1} | Nominal Edge Thickness at 'D'(mm) |
|--------------|------------------------------|------------|------------------------|--|-----------------------------------|
| 4.00 | 3.68 | 144.02 | -6.00 | 10.6 | 12.0 |
| 6.00 | 5.92 | 89.53 | -6.00 | 10.8 | 9.5 |

Note 1: These values are based on the 200 Add power for each base. The Higher Adds will typically have a thicker centre thickness, but should still be acceptable even if thicker than tolerance

| | | | |
|--|-------------|-------------------------|-----------------------|
| | Code | Description | Dimension (mm) |
| | A | Nominal Diameter | 68 |
| | B | Distance Below Datum | Nil |
| | C | Intermediate Band Width | 7.0 |
| | D | Intermediate Inset | 0.00 |
| | E | Near Inset | 0.00 |

| | |
|----------------------------|---------------------------------------|
| Document Number: 00026.FS2 | Reviewed by: Geoff Riley, 09 May 2017 |
| For External Distribution | Page 1 of 2 |

PRODUCT FACT SHEET



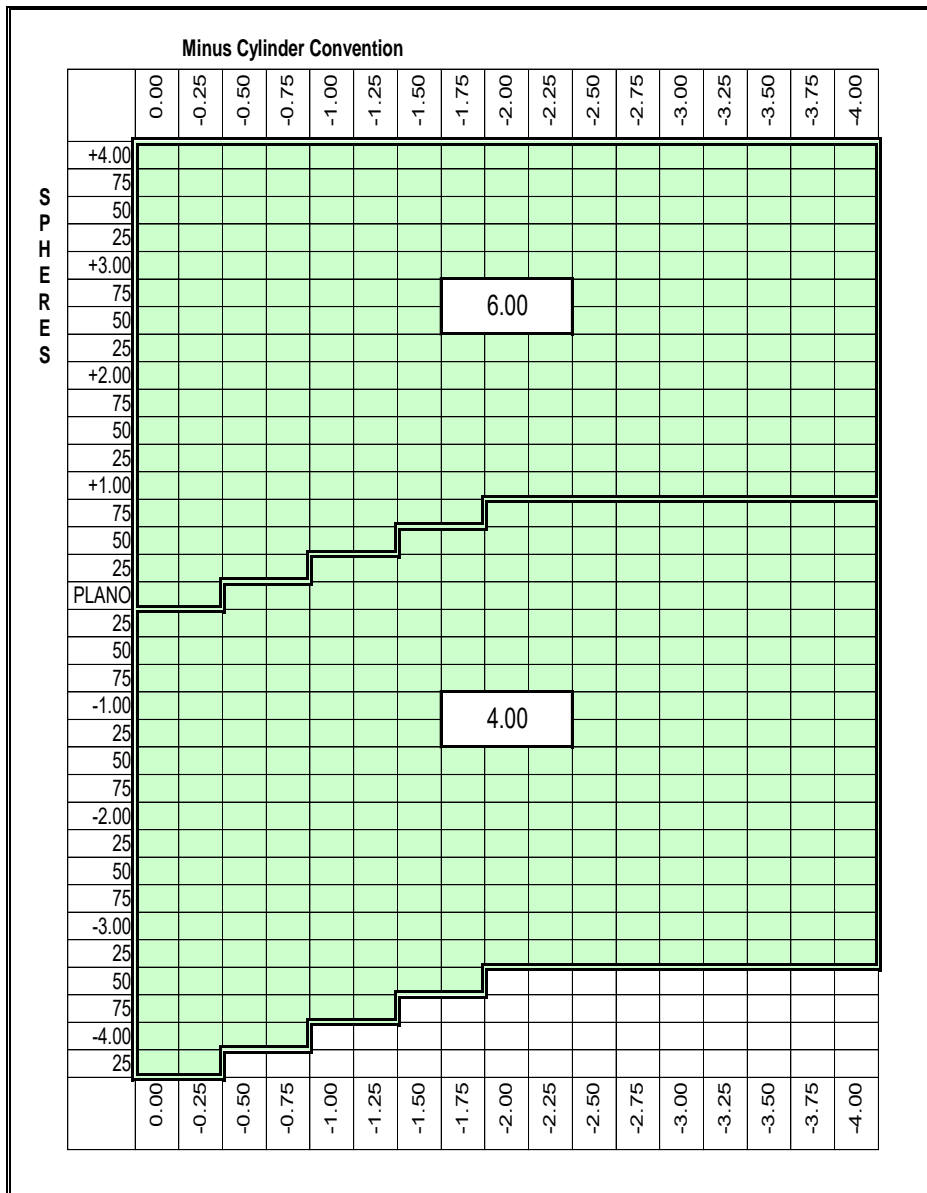
| | |
|---------------------|---|
| Product Name | synchrony Semi-Finished E-Line Trifocal 1.5 |
|---------------------|---|

Surfacing: Recommended centre & edge thicknesses for all regions:

| Power Range (D) | USA Market Minimum Centre Thickness (mm) | Int'l Market Minimum Centre Thickness (mm) | Minimum Edge Thickness (mm) |
|-----------------|--|--|-----------------------------|
| -4.25 to -2.00 | 2.0 | 1.5 | |
| -1.75 to +2.0 | 2.0 or * | 2.0 or * | 1.0 * |
| +2.25 to +4.00 | | | 1.0 |

* Thicknesses are based on whichever is the limiting factor

Recommended Range Chart:



| | |
|----------------------------|---------------------------------------|
| Document Number: 00026.FS2 | Reviewed by: Geoff Riley, 09 May 2017 |
| For External Distribution | Page 2 of 2 |

PRODUCT FACT SHEET



| | |
|---------------------|--|
| Product Name | synchrology Semi-Finished Flat-Top Trifocal 71 x 7 x 28mm 1.523 Mineral White & Photogray Extra |
|---------------------|--|

Customer Product Codes

| Product: | CAT Code: | LGC: | LGC Description: | Notes: | FDA: |
|----------|-----------|-------|------------------------------------|--------------|--------------------------|
| White | 061 | L2027 | SYNC SF T FTT28 M15 UNC --- | COO required | Yes, disclaimer required |
| PGX | 062 | L2028 | SYNC SF T FTT28 M15 PH GRY UNC G-- | | |

Product Range:

| Nominal Diameter (mm) | Nominal Base Curve (D) | Add Power Range (D) | Recommended Rx Range (D) |
|-----------------------|------------------------|---------------------|--------------------------|
| 71 | 2.00 | 1.50 to 3.00 | -7.00 to -4.25 |
| 71 | 4.25 | 1.50 to 3.00 | -4.00 to -2.25 |
| 71 | 6.25 | 1.50 to 3.00 | -2.00 to +2.00 |
| 71 | 8.25 | 1.50 to 3.00 | +2.25 to +5.50 |

Material & Coating Specifications:

| Type | White Glass | PhotoGray Extra Glass |
|----------------------------|---|---|
| Refractive Index | $n_d = 1.523$ $n_e = 1.525$ | $n_d = 1.523$ $n_e = 1.525$ |
| Abbe Number | $v_d = 59$ $v_e = 58$ | $v_d = 57$ $v_e = 57$ |
| Density | 2.54 g/cm ³ | 2.41 g/cm ³ |
| UV Protection (ISO) | UVA : 20 %, UVB : 79 % 1.5 mm Centre Thickness | UVA : 97 %, UVB : 100 % Activated, 1.5 mm Centre Thickness |
| Coating Type | Uncoated | |

Lens Geometry:

| Nominal Base | True Front Curve (1.530) (D) | True Front Radii (mm) | Nominal Back Curve (D) | Centre Thickness (± 1.0 mm) | Nominal Edge Thickness (mm) |
|--------------|------------------------------|-----------------------|------------------------|----------------------------------|-----------------------------|
| 2.00 | 2.00 | 265 | -6.00 | 8.7 | 13.3 |
| 4.25 | 4.15 | 127.71 | -6.00 | 8.0 | 9.9 |
| 6.25 | 6.20 | 85.48 | -6.00 | 7.1 | 6.3 |
| 8.25 | 8.17 | 64.87 | -6.00 | 10.0 | 5.8 |

Surfacing: Recommended centre & edge thicknesses for all regions:

| Power Range (D) | Minimum Centre Thickness (mm) | Minimum Edge Thickness (mm) |
|-----------------|-------------------------------|-----------------------------|
| -7.00 to -1.00 | 2.0 | |
| -0.75 to +2.75 | 2.0* | 1.7* |
| +3.00 to +5.50 | | 1.7 |

* Thicknesses are based on whichever is the limiting factor

| | |
|------------------------------|---------------------------------------|
| Document Number: 0102078.FS2 | Reviewed by: Geoff Riley, 02 Jun 2017 |
| For External Distribution | Page 1 of 2 |

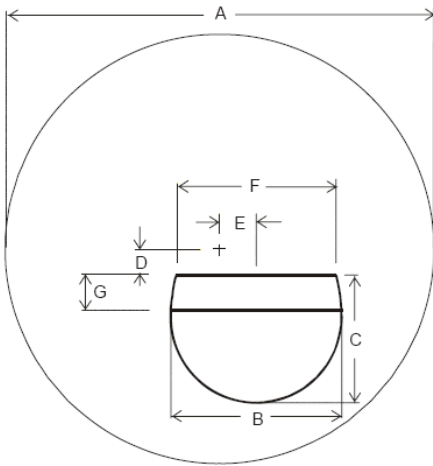
PRODUCT FACT SHEET



Product Name

synchrony Semi-Finished Flat-Top Trifocal 71 x 7 x 28mm
1.523 Mineral White & Photogray Extra

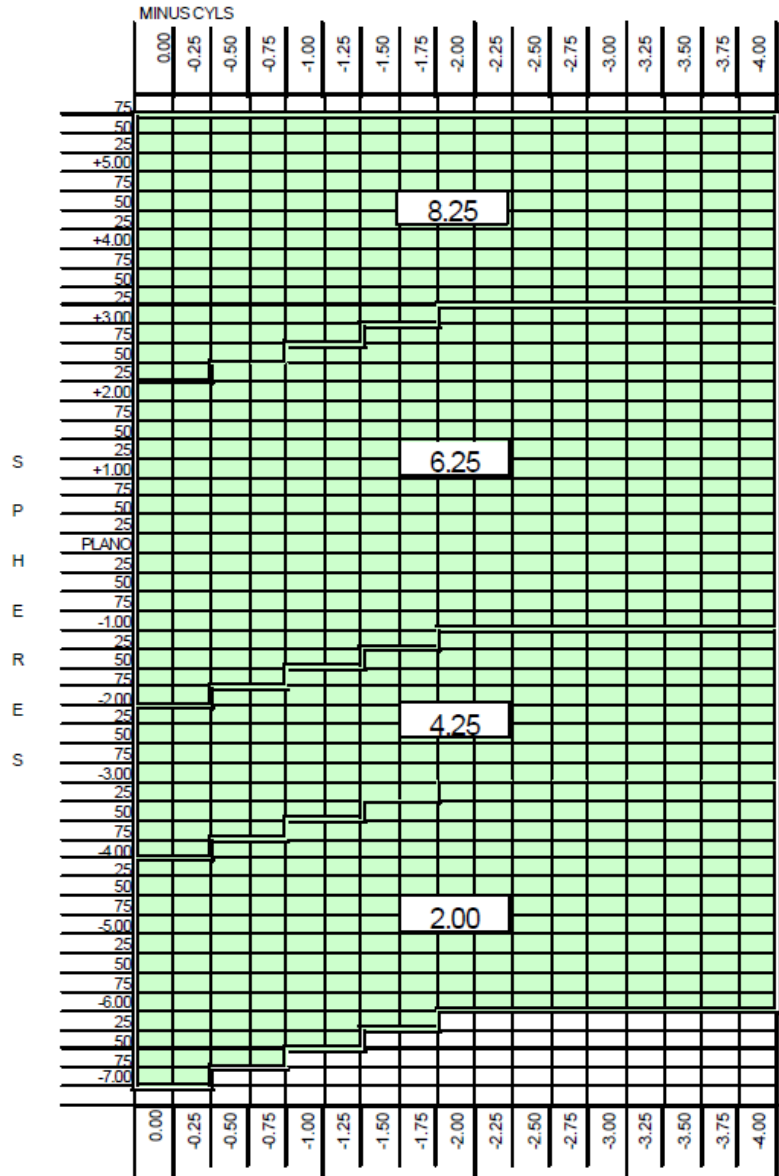
Lens Geometry continued:



| Code | Description | Value (mm) |
|------|----------------------|------------|
| A | Nominal Diameter | 71 |
| B | Seg Diameter | 28.0 |
| C | Seg Depth | 23.0 |
| D | Distance Below Datum | 2.5 |
| E | Inset From Datum | 7.0 |
| F * | Seg Line Length | 21.5 |
| G | Intermediate band | 7.0 |

* Seg dimensions vary slightly as a function of add power. Nominal value only shown.

Recommended Base Curve Selection Chart:



Product Markings: None

| | |
|------------------------------|---------------------------------------|
| Document Number: 0102078.FS2 | Reviewed by: Geoff Riley, 02 Jun 2017 |
| For External Distribution | Page 2 of 2 |