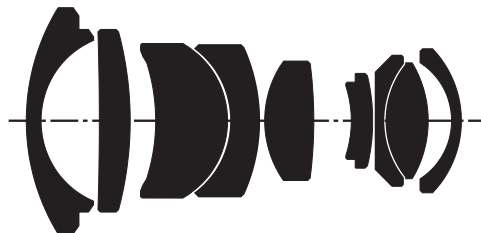
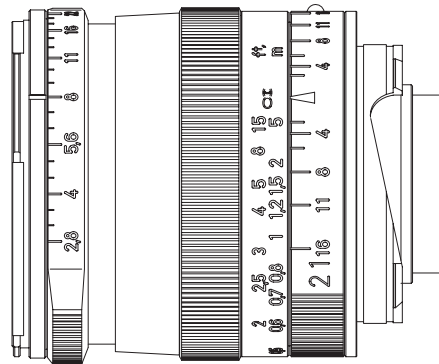


Biogon T* 2.8/21 ZM

The expert for confined spaces and super-wide angle photography

This lens provides image quality clearly beyond that of any SLR super-wide angle lens. It has been especially designed for super-wide angle documentation photography requiring an extremely high resolving power. Tiny details can be captured with unparalleled crispness and accuracy, while distortion is virtually non-existent. Demanding interiors can be photographed as easily and quickly as never before. This lens opens up new horizons and is ideal for extreme landscapes, dynamic architecture and demanding interiors.



Technical Specification

Focal length: 21 mm

Aperture range: 2.8–22

No. of elements/groups: 9/7

Focusing range: 0.5 m–infinity

Image ratio at close range: 1:21

Coverage at close range: 47 cm x 71 cm

Angular field, diag./horiz./vert.: 90/80/58°

Filter: M 46 x 0.75

Weight: 300 g

Length: 64 mm

Cat. No. silver: 30 82021

Cat. No. black: 30 82022

Subject to change.

Carl Zeiss AG

Camera Lens Division
73446 Oberkochen
Germany

Tel: +49 73 64 20-61 75
Fax: +49 73 64 20-40 45
E-Mail: photo@zeiss.de
www.zeiss.de/photo



We make it visible.

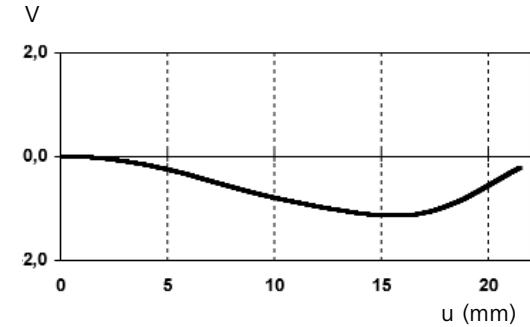
Biogon T* 2.8/21 ZM

Performance data

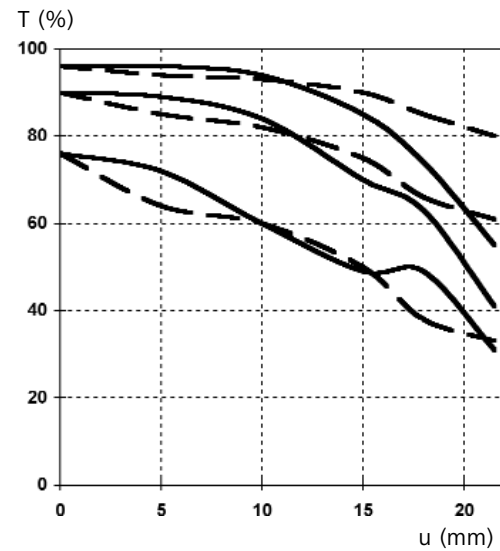
Modulation transfer T as a function of image height and slit orientation: sag _____ tan

White light. Spatial frequencies R = 10, 20 and 40 cycles/mm.

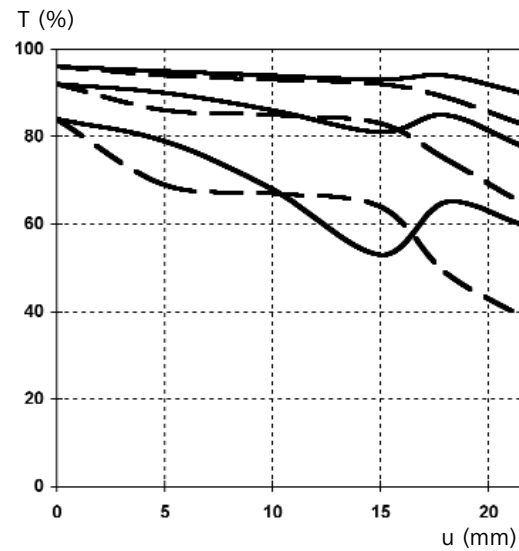
Distortion in % of image height



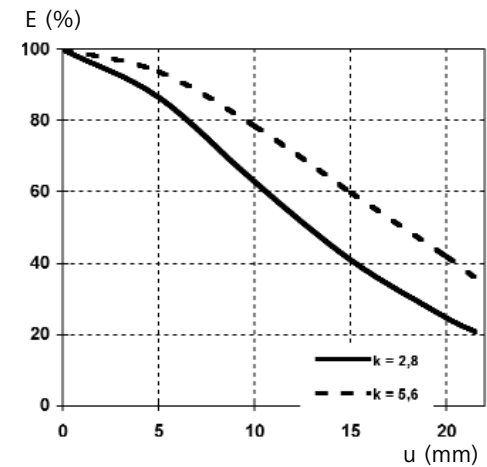
f-number: k = 2.8



f-number: k = 5.6



Relative illuminance



Subject to change.

Carl Zeiss AG

Camera Lens Division
73446 Oberkochen
Germany

Tel: +49 73 64 20-61 75
Fax: +49 73 64 20-40 45
E-Mail: photo@zeiss.de
www.zeiss.de/photo



We make it visible.