



## Bifocal - Fact Sheets Table of Contents

<b>1.59 Polycarbonate PhotoFusion – semi-finished</b>	
<b>1.59 ZEISS UV Protect Poly PhotoFusion Spherical Flat Top 28</b>	<b>1 – 3</b>
<b>1.59 Polycarbonate – semi-finished</b>	
<b>1.59 ZEISS UV Protect Polycarbonate Spherical Flat Top 28</b>	<b>4 – 6</b>
<b>1.59 Polycarbonate Spherical Flat Top 28</b>	<b>7 – 8</b>
<b>1.50 Hard Resin PhotoFusion – semi-finished</b>	
<b>1.50 Hard Resin PhotoFusion Flat Top 28</b>	<b>9 – 11</b>
<b>1.50 Hard Resin PhotoFusion Flat Top 35</b>	<b>12 – 14</b>
<b>1.50 Hard Resin – semi-finished</b>	
<b>1.50 Hard Resin 72mm Flat Top 28</b>	<b>15 – 17</b>
<b>1.50 Hard Resin 76mm Flat Top 28</b>	<b>18 – 19</b>
<b>1.50 Hard Resin 72mm Flat Top 35</b>	<b>20 – 21</b>
<b>1.50 Hard Resin 76mm Flat Top 35</b>	<b>22 – 23</b>
<b>1.50 Hard Resin 76mm Blended Round Seg 28</b>	<b>24 – 25</b>
<b>1.50 Hard Resin 76mm Round Seg 24</b>	<b>26 – 27</b>
<b>1.50 Glass – semi-finished</b>	
<b>1.50 White &amp; PhotoGray Extra Glass 66mm Flat Top 28</b>	<b>28 – 29</b>
<b>1.50 White &amp; PhotoGray Extra Glass 71mm Flat Top 28</b>	<b>30 – 31</b>



## Trifocal - Fact Sheets Table of Contents

### **1.50 Hard Resin PhotoFusion – semi-finished**

*1.50 Hard Resin PhotoFusion Flat Top 7x28* 32 – 34

### **1.50 Hard Resin – semi-finished**

*1.50 Hard Resin 72mm Flat Top 7x28* 35 – 36

*1.50 Hard Resin 72mm Flat Top 8x35* 37 – 38

### **1.50 Glass – semi-finished**

*1.50 White & PhotoGray Extra Glass 71mm Flat Top 7x28* 39 – 40

# PRODUCT FACT SHEET



Product Name

ZEISS Semi-Finished Bifocal Flat Top 28 1.59 PhotoFusion

## Customer Product Codes:

Product	LGC	LGC Description	SF Code	Producer ID	CAT Code	Notes	FDA
Hard coated	L7498	ZEISS SF B FT28 159 PF GRY HA U--	PO28G	9	J57	Country of Origin required on Label	Yes, US FDA disclaimer Required
	L7499	ZEISS SF B FT28 159 PF BRN HA U--	PO28B	9	J58		
	L7500	ZEISS SF B FT28 159 PF EGRY HA U--	PO28E	9	J59		

## Product Range:

Nominal Diameter (mm)	Nominal Base Curve (D)	ADD Range (D)	Recommended Rx Range (D)
80	0.50	1.00 to 3.00	-12.00 to -10.50 cyl 6
80	2.25	1.00 to 3.00	-10.25 to - 5.50 cyl 6
80	4.50	1.00 to 3.00	- 5.25 to - 2.00 cyl 6
80	6.25	1.00 to 3.00	- 1.75 to + 2.00 cyl 6
80	8.00	1.00 to 3.00	+ 2.25 to + 6.00 cyl 6

## Material & Coating Specifications:

Type	Polycarbonate
Refractive Index	$n_d = 1.586$ $n_e = 1.590$
Abbe Number	$v_d = 30$ $v_e = 30$
Density	1.20 g/cm <sup>3</sup>
UV Protection (ISO)	UVA : 100 %, UVB : 100 % 2.0 mm Centre Thickness
Coating Type	Hard Coated

## Lens Geometry:

	Code	Description	Dimension (mm)	Tolerance (mm)
	A	Nominal Diameter	80.5	-
	B	Seg Diameter	28.0	± 0.3
	C	Seg Depth	19.0	± 0.5
	D	Distance Below Datum	6.0	± 0.3
	E	Inset from Datum	6.0	± 1.0
	F*	Seg Line Length	26.0	-
	G	Seg Line to Seg Centre	5.0	± 0.5
	* Seg dimensions vary slightly as a function of add power. Nominal value only shown			

Document Number: 00686.FS1

Reviewed by: Lars Mendel, 10 Mar 2021

For External Distribution

Page 1 of 3

# PRODUCT FACT SHEET



<b>Product Name</b>	<b>ZEISS Semi-Finished Bifocal Flat Top 28 1.59 PhotoFusion</b>
---------------------	---

Nominal Base (D)	Radius (mm)	True Front Curve (D)	Central Curve Sag @ 50mm (mm)	Nominal Back Curve (D)	Centre Thickness (mm)	Nominal Edge Thickness (mm)	Nominal Packaged Weight (g)
0.50	913.79	0.58	0.34	-5.75	<b>10.5 ± 1.0</b>	18.0	87
2.25	233.48	2.27	1.34	-5.75	<b>9.5 ± 1.0</b>	15.5	75
4.50	117.78	4.50	2.68	-5.75	<b>8.5 ± 1.0</b>	10.5	62
6.25	85.21	6.22	3.75	-8.00	<b>7.3 ± 1.0</b>	11	66
8.00	66.42	7.98	4.89	-8.00	<b>10.0 ± 1.0</b>	10	72

**Product Markings:**

**Ink Markings:** None

Front Surface Curve: Top Code Only	Back Surface Curve: Laser Applied Visible Code

**Surfacing:** Recommended centre & edge thicknesses for all regions:

Power Range (D)	USA Market Minimum Centre Thickness (mm)	Int'l Market Minimum Centre Thickness (mm)	Minimum Edge Thickness (mm)
-12.00 to -2.00	2.0	1.5	
-1.75 to +2.00	2.0 or *	2.0 or *	1.0 *
+2.25 to +4.00			1.0
+4.25 to +6.00			0.5

*\* Thicknesses are based on whichever is the limiting factor*

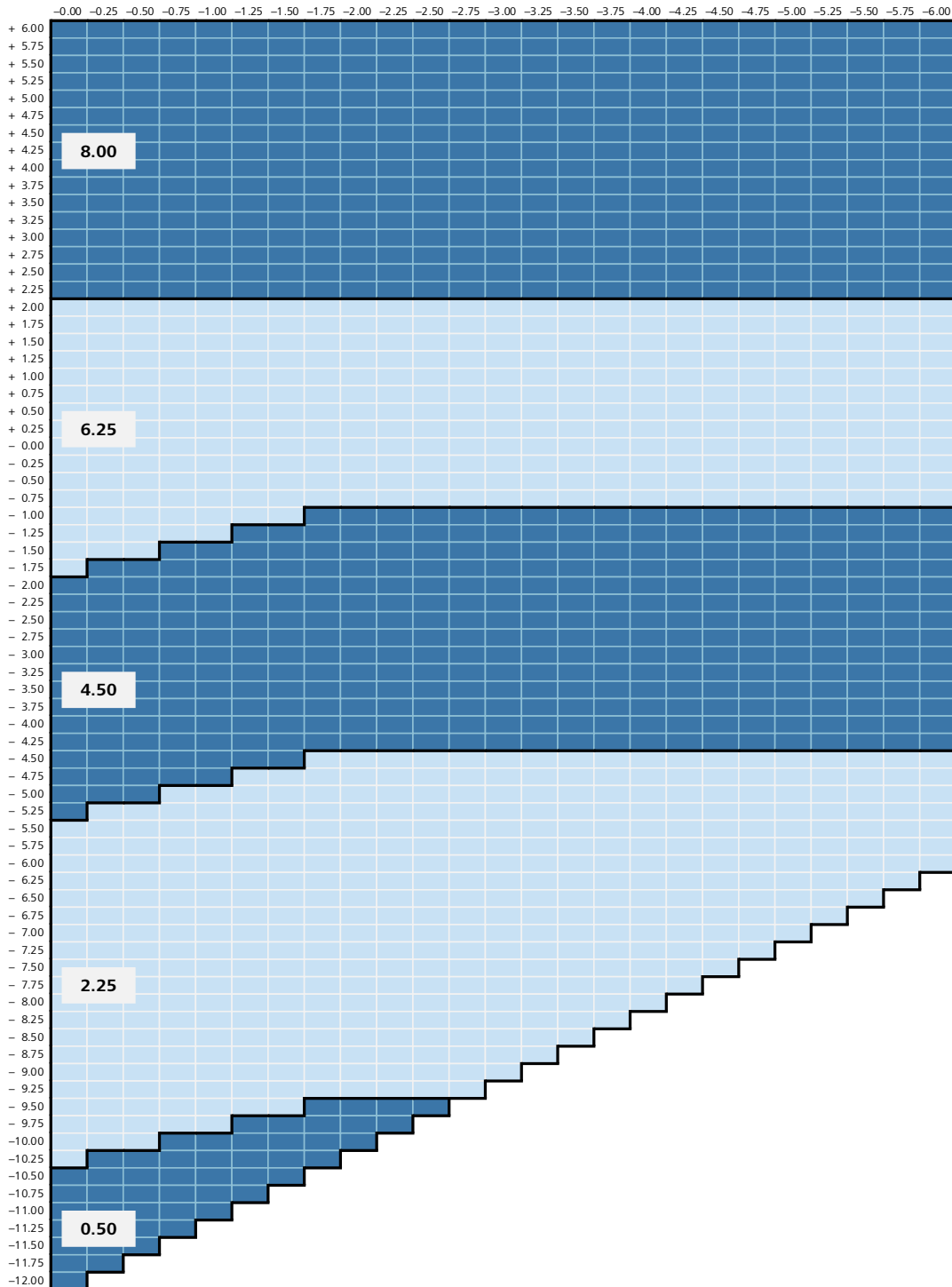
Document Number: 00686.FS1	Reviewed by: Lars Mendel, 10 Mar 2021
For External Distribution	Page 2 of 3

# PRODUCT FACT SHEET



Product Name	ZEISS Semi-Finished Bifocal Flat Top 28 1.59 PhotoFusion
--------------	--

**Recommended Base Curve Selection Chart:**



Document Number: 00686.FS1	Reviewed by: Lars Mendel, 10 Mar 2021
For External Distribution	Page 3 of 3

# PRODUCT FACT SHEET



**Product Name**

ZEISS Semi-Finished Flat Top Bifocal 28mm 1.59 UVProtect

## 1. Customer Product Codes

Product:	LGC:	LGC Description:	CAT Code:
Hart Coated	L7050	ZEISS SF B FT28 159 HA U--	A52

## 2. Product Range:

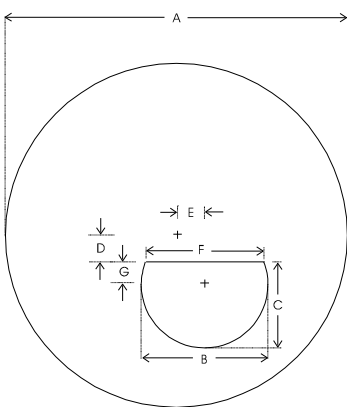
Nominal Diameter (mm)	Nominal Base Curve (D)	ADD Range (D)	Recommended Rx Range (D)
80	0.50	1.00 to 3.00	-13.00 to -10.50
80	2.25	1.00 to 3.00	-10.25 to -5.50
80	4.50	1.00 to 3.00	-5.25 to -2.00
80	6.25	1.00 to 3.00	-1.75 to +2.00
80	8.00	1.00 to 3.00	+2.25 to +6.00

## 3. Material & Coating Specifications:

Type	ZEISS Light Protection 1.59 Polycarbonate
Refractive Index	$n_d = 1.586$ $n_e = 1.590$
Abbe Number	$V_d = 30$ $V_e = 30$
Density	1.20 g/cm <sup>3</sup>
UV Protection (ISO)	Coated : 2.0 mm Centre Thickness UVA : 100 %,    UVB : 100 %
Coating Type	Hart Coated

## 4. Lens Geometry:

Code	Description	Dimension (mm)	Tolerance (mm)
A	Nominal Diameter	80	-
B	Seg Diameter	28.0	± 0.3
C	Seg Depth	19.0	± 0.5
D	Distance Below Datum	6.0	± 0.3
E	Inset From Datum	6.0	± 1.0
F*	Seg Line Length	26.0	-
G	Seg Line to Seg Centre	5.0	± 0.5
* Seg dimensions vary slightly as a function of add power. Nominal value only shown			



Document Number: Z01019.FS1

Reviewed by: Geoff Riley, 10 Jul 2018

For External Distribution

Page 1 of 3

# PRODUCT FACT SHEET



**Product Name**

ZEISS Semi-Finished Flat Top Bifocal 28mm 1.59 UVProtect

Nominal Base (D)	Radius (mm)	True Front Curve (D)	Central Curve Sag @ 50mm (mm)	Nominal Back Curve (D)	Centre Thickness (±1.0 mm)	Nominal Edge Thickness (mm)	Nominal Packaged Weight (g)
0.50	913.79	0.58	0.34	-5.75	10.5	18.0	87
2.25	233.48	2.27	1.34	-5.75	9.5	15.5	75
4.50	117.78	4.50	2.68	-5.75	8.5	10.5	62
6.25	85.21	6.22	3.75	-8.00	7.3	11	66
8.00	66.42	7.98	4.89	-8.00	10.0	10	72

**5. Surfacing:** Recommended centre & edge thicknesses for all regions:

Power Range (D)	USA Market Minimum Centre Thickness (mm)	Int'l Market Minimum Centre Thickness (mm)	Minimum Edge Thickness (mm)
High Minus to -2.00	1.5	1.2	
-1.75 to +2.00	2.0 or *	2.0 or *	1.3 *
+2.25 to + High Plus			1.3

*\* Thicknesses are based on whichever is the limiting factor*

**6. Product Markings**

**Front Surface Curve: Ink Markings:** None.

Front Surface Curve: Top Code Only:	Back Surface Curve: Cast on Visible Code:

Document Number: Z01019.FS1

Reviewed by: Geoff Riley, 10 Jul 2018

For External Distribution

Page 2 of 3

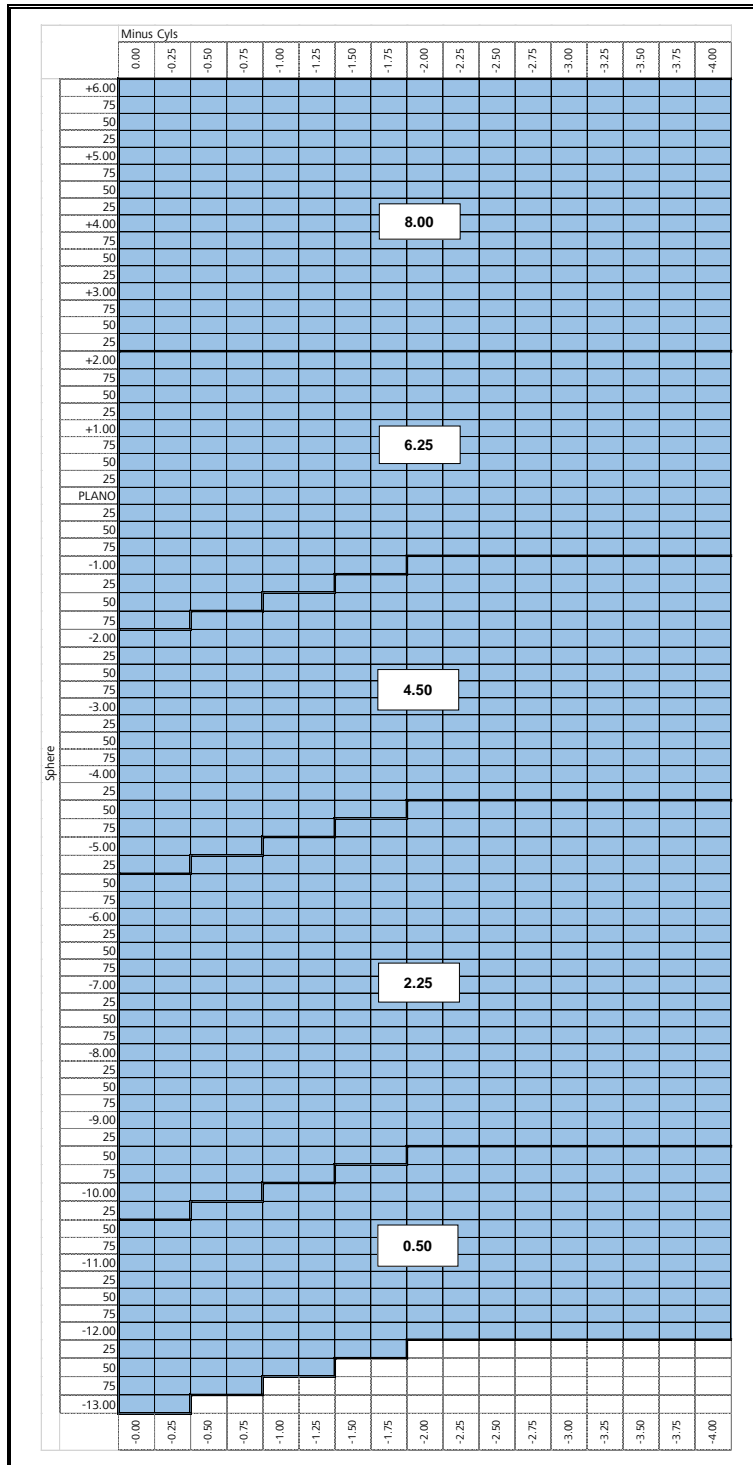
# PRODUCT FACT SHEET



**Product Name**

ZEISS Semi-Finished Flat Top Bifocal 28mm 1.59 UVProtect

## 7. Recommended Base Curve Selection Chart:



Document Number: Z01019.FS1  
For External Distribution

Reviewed by: Geoff Riley, 10 Jul 2018  
Page 3 of 3



# PRODUCT FACT SHEET



<b>Product Name</b>	synchrony Semi-Finished Flat-Top Bifocal 28mm 1.59
---------------------	--

## Customer Product Codes

Product	CAT Code:	LGC:	LGC Description:	Notes:	FDA:
Hard Coated	398	L2102	SYNC SF B FT28 159 HC ---	COO required	Yes, disclaimer required

## Product Range:

Nominal Diameter (mm)	Nominal Base Curve (D)	ADD Range (D)	Recommended Rx Range (D)
80	0.50	1.00 to 3.00	-13.00 to -10.50
80	2.25	1.00 to 3.00	-10.25 to -5.50
80	4.50	1.00 to 3.00	-5.25 to -2.00
80	6.25	1.00 to 3.00	-1.75 to +2.00
80	8.00	1.00 to 3.00	+2.25 to +6.00

## Material & Coating Specifications:

<b>Type</b>	1.59 Polycarbonate
<b>Refractive Index</b>	$n_d = 1.586$ $n_e = 1.590$
<b>Abbe Number</b>	$v_d = 30$ $v_e = 29$
<b>Density</b>	1.20 g/cm <sup>3</sup>
<b>UV Protection (ISO)</b>	UVA : 100 %, UVB : 100 % 2.0 mm Centre Thickness
<b>Coating Type</b>	Hard Coated

## Lens Geometry:

Nominal Base	True Front Curve (D) (1.530)	Radii (mm)	Nominal Back Curve (D)	Centre Thickness (mm) ( $\pm 1.0$ )	Nominal Edge Thickness (mm)	Packaged Weight (g)
0.50	0.58	913.79	-5.75	<b>10.5</b>	18.0	87
2.25	2.27	233.48	-5.75	<b>9.5</b>	15.5	75
4.50	4.50	117.78	-5.75	<b>8.5</b>	10.5	62
6.25	6.22	85.21	-8.00	<b>7.3</b>	11	66
8.00	7.98	66.42	-8.00	<b>10.0</b>	10	72

## Surfacing: Recommended centre & edge thicknesses for all regions:

Power Range (D)	Minimum Centre Thickness (mm)	Minimum Edge Thickness (mm)
-13.00 to -2.00	1.5	
-1.75 to +2.00	2.0 or *	1.5 *
+2.25 to +6.00		1.0

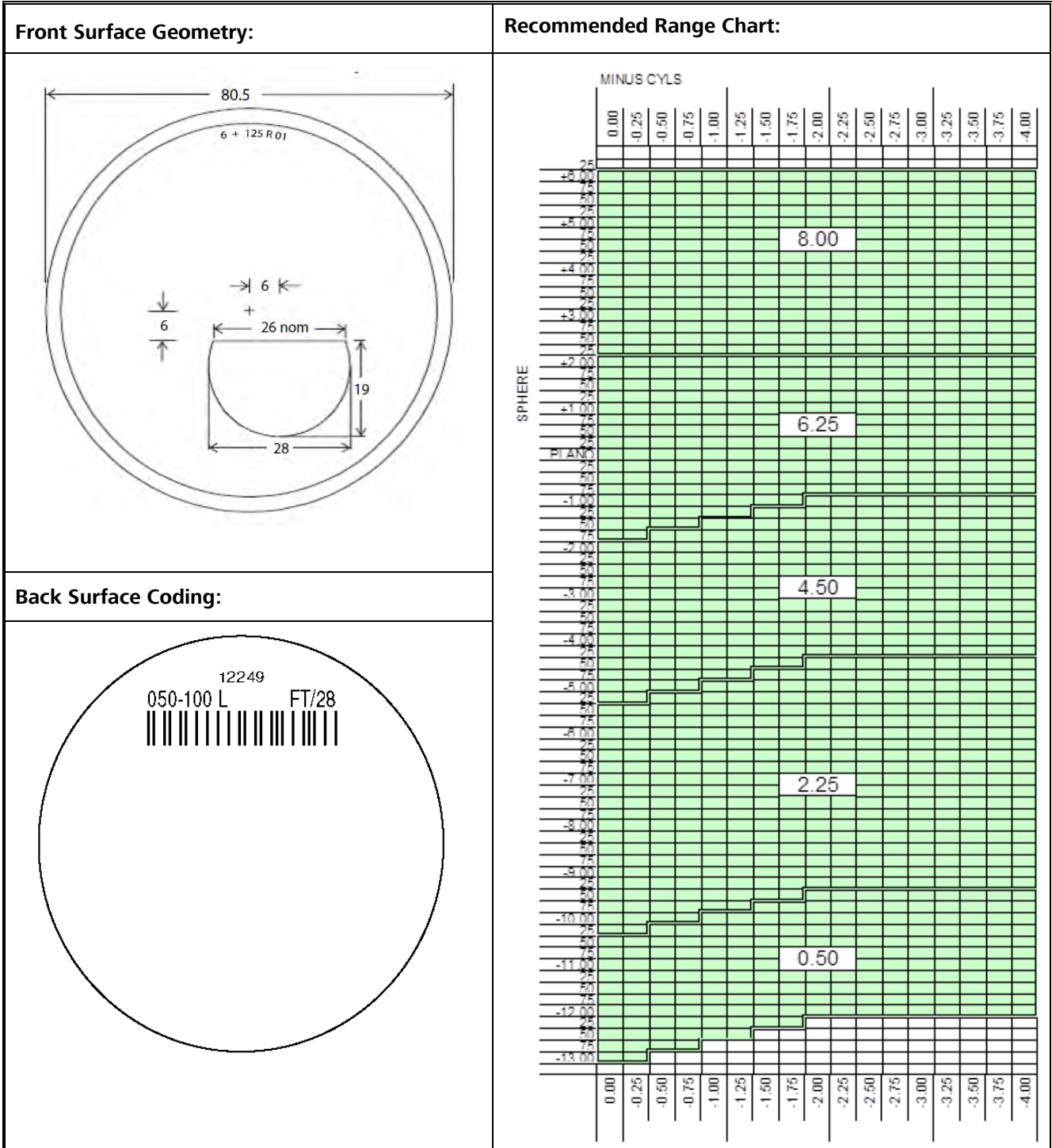
\* Thicknesses are based on whichever is the limiting factor

Document Number: 0101106.FS2	Reviewed by: Geoff Riley, 06 Jun 2017
For External Distribution	Page 1 of 2

# PRODUCT FACT SHEET



<b>Product Name</b>	synchrony Semi-Finished Flat-Top Bifocal 28mm 1.59
---------------------	--



Document Number: 0101106.FS2	Reviewed by: Geoff Riley, 06 Jun 2017
For External Distribution	Page 2 of 2

# PRODUCT FACT SHEET



<b>Product Name</b>	synchrony Semi-Finished FLAT-TOP Bifocal 76 x 28mm 1.5 Photochromic
---------------------	---

## 1. Customer Product Codes

CAT Code:	LGC:	LGC Description:	Notes:	FDA:
	L6156	SYNC SF B FT28 15 PH GRY UNC ---	Country of Origin required on Label	US FDA disclaimer Required
	L6157	SYNC SF B FT28 15 PH BRN UNC ---		
F25	L6158	SYNC SF B FT28 15 PH GRY HC B--		
F26	L6159	SYNC SF B FT28 15 PH BRN HC B--		

## 2. Product Range:

Nominal Diameter (mm)	Nominal Base Curve (D)	Add Power Range (D)	Rx Range Recommended (D)
76	0.50	1.00 to 3.00	-9.00 to -6.00
76	2.25	1.00 to 3.00	-5.75 to -3.75
76	4.25	1.00 to 3.00	-3.50 to -1.50
76	5.25	1.00 to 3.00	-1.25 to +1.25
76	6.25	1.00 to 3.00	+1.50 to +2.25
76	8.25	1.00 to 3.00	+2.50 to +5.00

## 3. Material & Coating Specifications:

<b>Type</b>	<b>1.5 Photochromic</b>
<b>Refractive Index</b>	$n_d = 1.502$ $n_e = 1.504$
<b>Abbe Number</b>	$v_d = 54$ $v_e = 52$
<b>Density</b>	1.18 g/cm <sup>3</sup>
<b>Luminous Transmittance (clear state)</b>	≥ 87%
<b>UV Protection (ISO)</b>	Coated, Activated : 2.0 mm Centre Thickness: UVA : 100 %,    UVB : 100 %
<b>Coating Type</b>	Hard Coated & Uncoated

## 4. Lens Geometry: Curves measured in 1.530 Index, at the Geometric Centre

Nominal Base	True Front Curve (D)	Radii (mm)	Nominal Back Curve (D)	Centre Thickness (± 1.0mm)	Nominal Edge Thickness (mm)
0.50	0.37	1432.43	-4.00	<b>10.6</b>	15.8
2.25	2.09	253.59	-4.00	<b>10.6</b>	13.6
4.25	4.30	123.26	-4.00	<b>10.6</b>	10.4
5.25	5.26	100.76	-6.00	<b>8.7</b>	10.2
6.25	6.21	85.35	-6.00	<b>8.7</b>	8.8
8.25	8.26	64.16	-6.00	<b>12.3</b>	9.0

Document Number: 00216.FS2	Reviewed by: Geoff Riley, 26 Aug 2016
For External Distribution	Page 1 of 3

# PRODUCT FACT SHEET

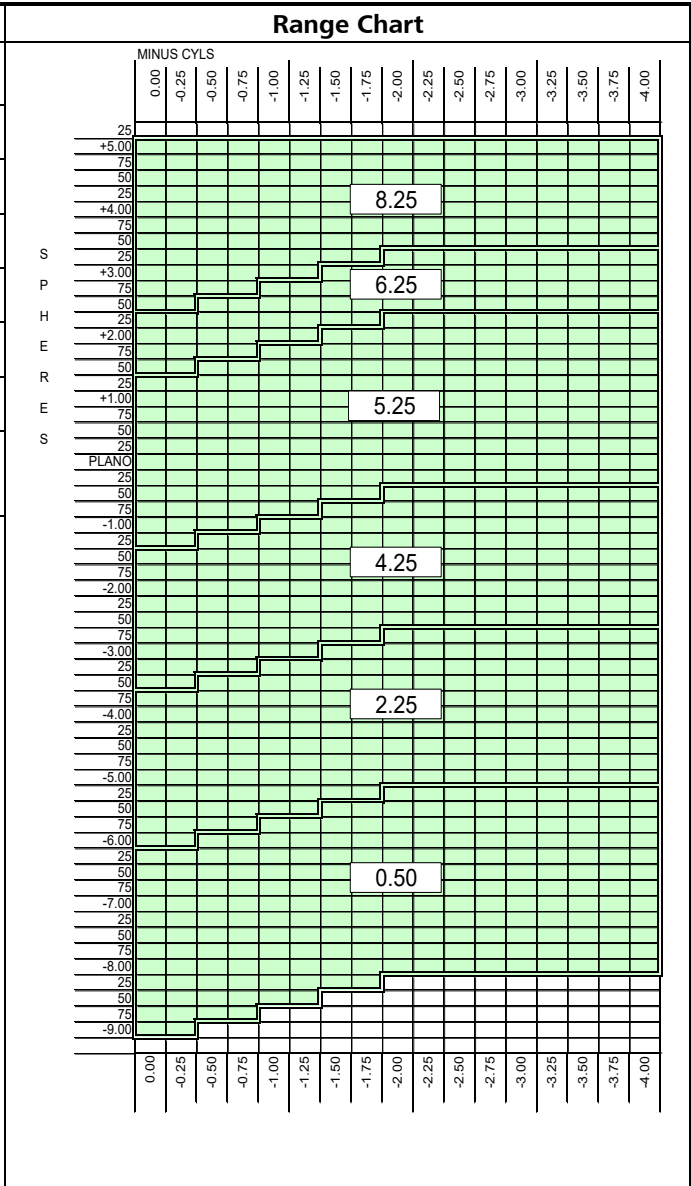
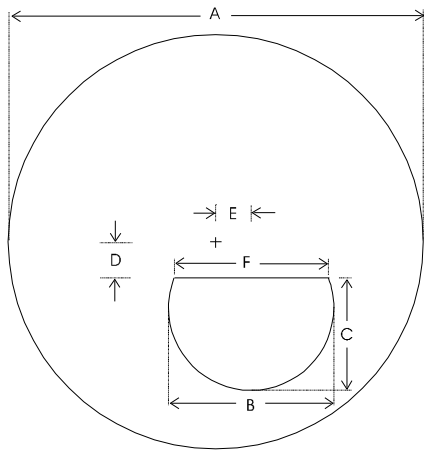


**Product Name**

synchrony Semi-Finished FLAT-TOP Bifocal 76 x 28mm 1.5 Photochromic

Lens Geometry (continued)		
Code	Dimension	Value (mm)
A	Lens Diameter	76.0
B	Seg Diameter	28.0
C	Seg Depth	19.0
D	Distance Below Datum	6.0
E	Inset From Datum	6.0
F *	Seg Line Length	26

\* Seg dimensions vary slightly as a function of add power. Nominal value only shown.



**5. Surfacing:** Recommended centre & edge thicknesses for all regions:

Power Range (D)	USA Market Minimum Centre Thickness	Int'l Market Minimum Centre Thickness (mm)	All Markets Minimum Edge Thickness (mm)
High Minus to -2.00	2.0	2.0	
-1.75 to +2.00	2.0 or *	2.0 or *	1.5 *
+2.25 to High Pus			1.5

\* Thicknesses are based on whichever is the limiting factor

Document Number: 00216.FS2  
For External Distribution

Reviewed by: Geoff Riley, 26 Aug 2016  
Page 2 of 3

# PRODUCT FACT SHEET



<b>Product Name</b>	synchrony Semi-Finished FLAT-TOP Bifocal 76 x 28mm 1.5 Photochromic
---------------------	---

## 6. Product Markings: Samples

Permanent Markings – Front Surface	Permanent Markings – Back Surface
<p>625-100R XXXX</p>	<p>19326 425-200 R FT 28 H-PF</p>

Document Number: 00216.FS2	Reviewed by: Geoff Riley, 26 Aug 2016
For External Distribution	Page 3 of 3

# PRODUCT FACT SHEET



<b>Product Name</b>	synchrony Semi-Finished FLAT-TOP Bifocal 76 x 35mm 1.5 Photochromic
---------------------	---

## 1. Customer Product Codes

CAT Code:	LGC:	LGC Description:	Notes:	FDA:
C24	L6851	SYNC SF B FT35 15 PH GRY HC B--	Country of Origin required on Label	US FDA disclaimer Required

## 2. Product Range:

Nominal Diameter (mm)	Nominal Base Curve (D)	Add Power Range (D)	Rx Range Recommended (D)
76	4.00	1.00 to 3.00	-4.00 to -2.25
76	6.00	1.00 to 3.00	-2.00 to +2.00
76	8.00	1.00 to 3.00	+2.25 to +6.00

## 3. Material & Coating Specifications:

<b>Type</b>	<b>1.5 Photochromic</b>
<b>Refractive Index</b>	$n_d = 1.502$ $n_e = 1.504$
<b>Abbe Number</b>	$v_d = 54$ $v_e = 52$
<b>Density</b>	1.18 g/cm <sup>3</sup>
<b>Luminous Transmittance (clear state)</b>	≥ 87%
<b>UV Protection (ISO)</b>	Coated, Activated : 2.0 mm Centre Thickness: UVA : 100 %,    UVB : 100 %
<b>Coating Type</b>	Hard Coated

## 4. Lens Geometry: Curves measured in 1.530 Index, at the Geometric Centre

Nominal Base	True Front Curve (D)	Radii (mm)	Nominal Back Curve (D)	Centre Thickness (mm) (± 1.0mm)	Nominal Edge Thickness (mm)	Nominal Packaged weight (g)
4.00	3.68	144.02	-6.00	<b>11.3</b>	14.6	85
6.00	5.89	89.98	-6.00	<b>8.9</b>	9.0	66
8.00	8.01	66.17	-6.00	<b>12.5</b>	9.0	77

Document Number: 00595.FS1	Reviewed by: Geoff Riley, 31 Aug 2016
For External Distribution	Page 1 of 3

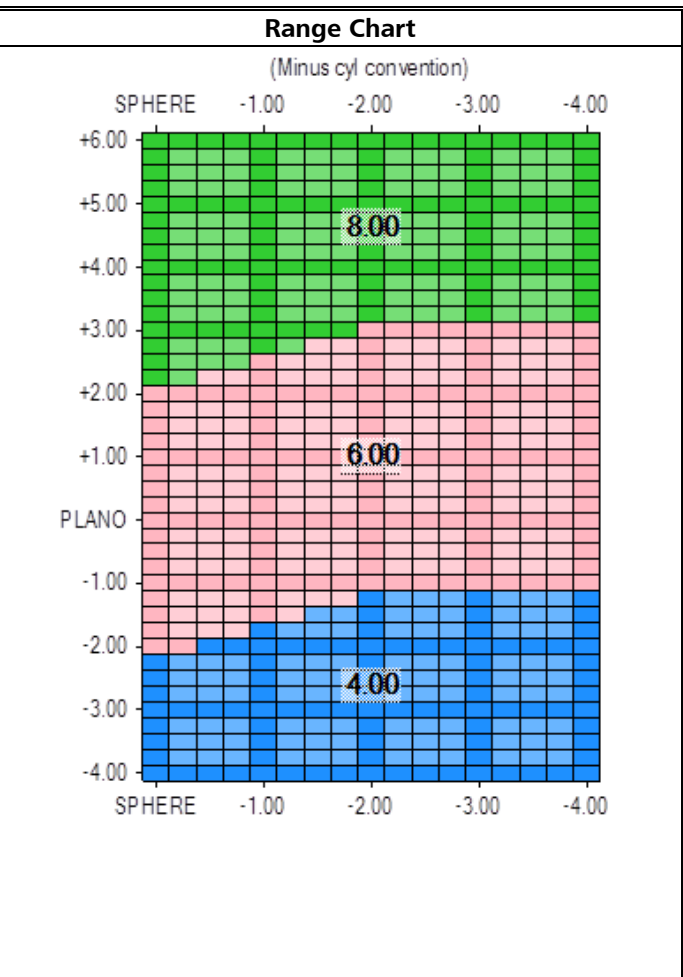
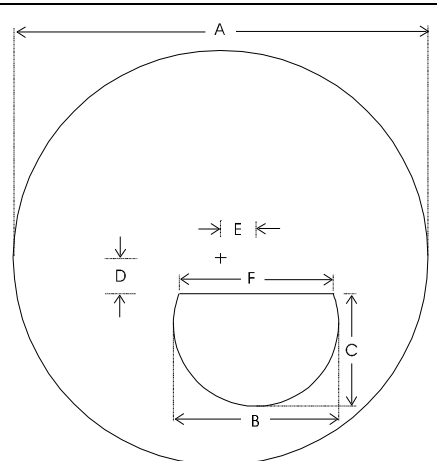
# PRODUCT FACT SHEET



<b>Product Name</b>	synchrony Semi-Finished FLAT-TOP Bifocal 76 x 35mm 1.5 Photochromic
---------------------	---

Lens Geometry (continued)		
Code	Dimension	Value (mm)
A	Lens Diameter	76.0
B	Seg Diameter	35.0
C	Seg Depth	22.5
D	Distance Below Datum	6.0
E	Inset From Datum	6.0
F *	Seg Line Length	33.5

\* Seg dimensions vary slightly as a function of add power. Nominal value only shown.



## 5. Surfacing: Recommended centre & edge thicknesses for all regions:

Power Range (D)	USA Market Minimum Centre Thickness	Int'l Market Minimum Centre Thickness (mm)	All Markets Minimum Edge Thickness (mm)
High Minus to -2.00	2.0	2.0	
-1.75 to +2.00	2.0 or *	2.0 or *	1.5 *
+2.25 to High Pus			1.5

\* Thicknesses are based on whichever is the limiting factor

Document Number: 00595.FS1	Reviewed by: Geoff Riley, 31 Aug 2016
For External Distribution	Page 2 of 3

# PRODUCT FACT SHEET



<b>Product Name</b>	synchrony Semi-Finished FLAT-TOP Bifocal 76 x 35mm 1.5 Photochromic
---------------------	---

## 6. Product Markings: Samples

Permanent Markings – Front Surface	Permanent Markings – Back Surface
<p>600-100R XXXX</p>	<p>20785 400-100 R FT 35 H-PF</p>

Document Number: 00595.FS1	Reviewed by: Geoff Riley, 31 Aug 2016
For External Distribution	Page 3 of 3



# PRODUCT FACT SHEET



<b>Product Name</b>	synchrony Semi-Finished Flat-Top Bifocal 72 x 28mm 1.5 - USA
---------------------	--

## Customer Product Codes

Product	CAT Code:	LGC:	LGC Description:	Notes:	FDA:
Uncoated 72mm	206	L2050	SYNC SF B FT28 15 UNC ---	COO required	Yes, disclaimer required
Hard Coated 72mm	510	L2133	SYNC SF B FT28 15 HC ---		

## Product Range:

Nominal Diameter (mm)	Nominal Base Curve (D)	Add Power Range (D)	Recommended Rx Range (D)
72	0.50	0.75 to 3.50 & 4.00	-12.00 to -7.25
72	2.50	0.75 to 3.50 & 4.00	-7.00 to -4.25
72	4.00	0.75 to 3.50 & 4.00	-4.00 to -2.25
72	6.00	0.75 to 3.50 & 4.00	-2.00 to +2.00
72	8.00	0.75 to 3.50 & 4.00	+2.25 to +4.50
72	10.00	0.75 to 3.50 & 4.00	+4.75 to +8.00

## Material & Coating Specifications:

<b>Type</b>	<b>1.5 Polymer</b>
<b>Refractive Index</b>	$n_d = 1.499$ $n_e = 1.500$
<b>Abbe Number</b>	$v_d = 58$ $v_e = 56$
<b>Density</b>	1.32 g/cm <sup>3</sup>
<b>UV Protection (ISO)</b>	UVA : 91 %, UVB : 100 % 2.0 mm Centre Thickness
<b>Coating Type</b>	<b>Uncoated &amp; Hard Coated</b>

## Lens Geometry:

	<b>Code</b>	<b>Description</b>	<b>Dimension (mm)</b>	<b>Tolerance (mm)</b>
	A	Nominal Diameter	72	-
	B	Seg Diameter	28.0	± 0.25
	C	Seg Depth	19.0	± 0.50
	D	Distance Below Datum	6.0	± 0.25
	E	Inset From Datum	7.0	± 1.0
	F*	Seg Line Length	26.0	-
* Seg dimensions vary slightly as a function of add power. Nominal value only shown				

Document Number: 5110102.FS4_USA	Reviewed by: Geoff Riley, 31 May 2017
For External Distribution	Page 1 of 3

# PRODUCT FACT SHEET



<b>Product Name</b>	synchrony Semi-Finished Flat-Top Bifocal 72 x 28mm 1.5 - USA
---------------------	--

Nominal Base	True Front Curve (D) (1.530)	Radii (mm)	Nominal Back Curve (D)	Centre Thickness (± 1.0mm)	Nominal Edge Thickness (mm)
0.50	0.37	1432.43	-3.00	<b>12.8</b>	16.0
2.50	2.15	246.51	-6.00	<b>11.0</b>	16.0
4.00	3.68	144.02	-6.00	<b>9.9</b>	13.0
6.00	5.92	89.53	-6.00	<b>7.9</b>	8.0
8.00	8.01	66.17	-6.00	<b>11.5</b>	8.5
10.00	10.00	53.00	-6.00	<b>15.0</b>	8.5

**Product Markings:**

**Ink Markings:** None

Front Surface Curve: Top Code Only:	Back Surface Curve: Cast on Visible Code:

**Surfacing:** Recommended centre & edge thicknesses for all regions:

Power Range (D)	USA Market Minimum Centre Thickness (mm)	Int'l Market Minimum Centre Thickness (mm)	Minimum Edge Thickness (mm)
-12.00 to -2.00	2.0	1.5	
-1.75 to +2.00	2.0 or *	2.0 or *	1.0 *
+2.25 to +4.00			1.0
+4.25 to +8.00			0.5

\* Thicknesses are based on whichever is the limiting factor

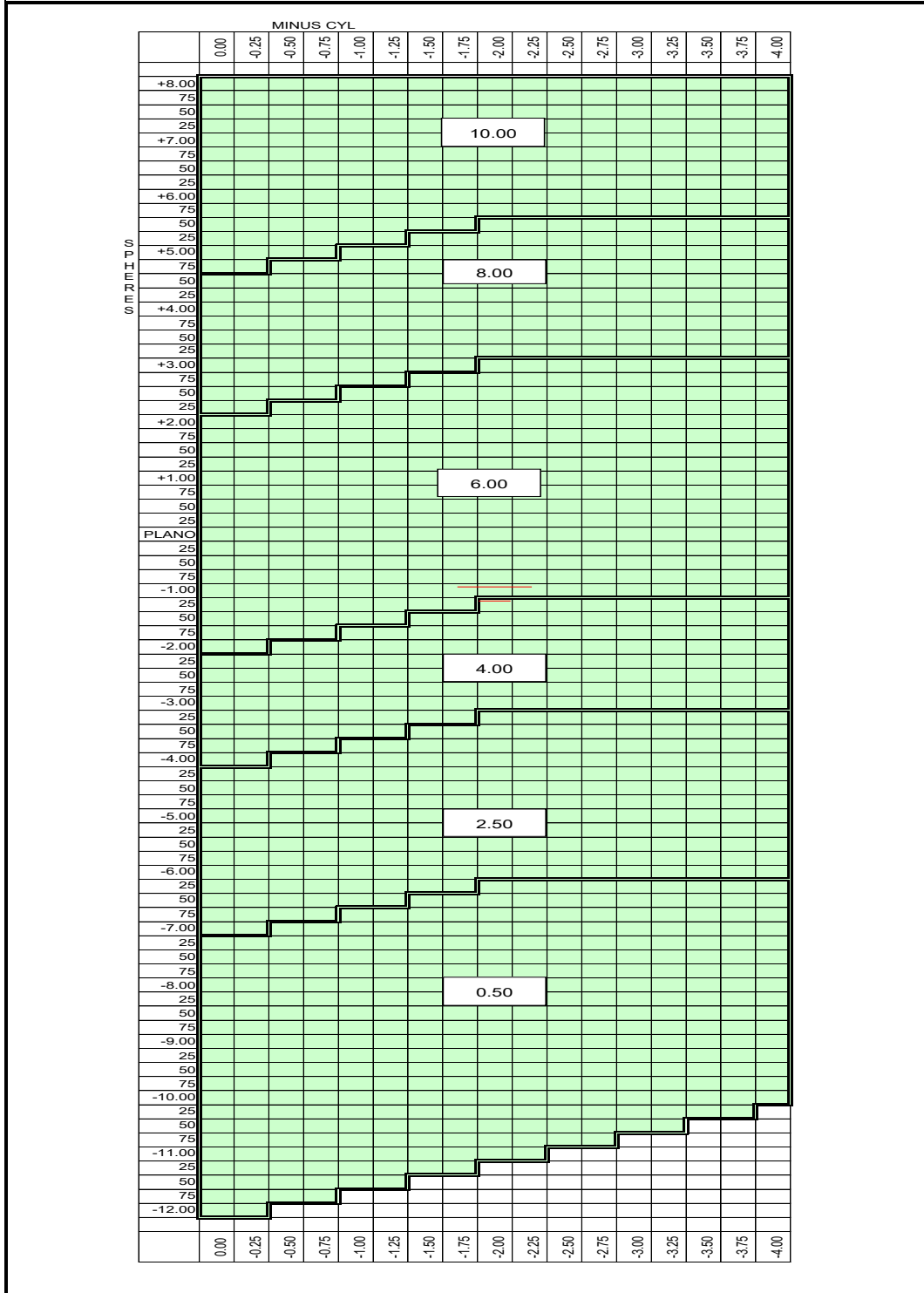
Document Number: 5110102.FS4_USA	Reviewed by: Geoff Riley, 31 May 2017
For External Distribution	Page 2 of 3

# PRODUCT FACT SHEET



<b>Product Name</b>	synchrony Semi-Finished Flat-Top Bifocal 72 x 28mm 1.5 - USA
---------------------	--

**Recommended Base Curve Selection Chart:**



Document Number: 5110102.FS4_USA	Reviewed by: Geoff Riley, 31 May 2017
For External Distribution	Page 3 of 3

# PRODUCT FACT SHEET



<b>Product Name</b>	synchrony Semi-Finished Flat-Top Bifocal 76 x 28mm 1.5
---------------------	--

## Customer Product Codes

Product	CAT Code:	LGC:	LGC Description:	Notes:	FDA:
Uncoated	128	L2039	SYNC SF B FT28 15 UNC ---	COO required	Yes, disclaimer required
Hard Coated	766	L2185	SYNC SF B FT28 15 HC ---		

## Product Range:

<sup>1</sup> Not available in Hardcoat

Nominal Diameter (mm)	Nominal Seg Size (mm)	Nominal Base Curve (D)	Add Power Range (D)	Recommended Rx Range (D)
76	28	2.50	1.00 to 3.00	-7.00 to -4.25
76	28	4.00	0.75 to 3.50	-4.00 to -2.25
76	28	5.00 <sup>1</sup>	1.00 to 3.00	-2.00 to 0.00
76	28	6.00	0.75 to 3.50	+0.25 to +2.00
76	28	8.00	0.75 to 3.50	+2.25 to +4.50
76	28	10.00	1.00 to 3.00	+4.75 to +8.00

## Material & Coating Specifications:

<b>Type</b>	<b>1.5 Polymer</b>	
<b>Refractive Index</b>	$n_d = 1.499$	$n_e = 1.500$
<b>Abbe Number</b>	$v_d = 58$	$v_e = 56$
<b>Density</b>	1.32 g/cm <sup>3</sup>	
<b>UV Protection (ISO)</b>	UVA : 91 %, UVB : 100 % 2.0 mm Centre Thickness	
<b>Coating Type</b>	<b>Uncoated &amp; Hard Coated</b>	

## Lens Geometry:

Nominal Base	True Front Curve (D) (1.530)	Radii (mm)	Nominal Back Curve (D)	Centre Thickness (mm) ( $\pm 1.0$ )	Nominal Edge Thickness (mm)	Packaged Weight (g)
2.50	2.15	246.51	-3.00	<b>15.8</b>	17.0	111
4.00	3.68	144.02	-6.00	<b>11.5</b>	15.0	91
5.00	4.77	111.11	-6.00	<b>12.8</b>	15.0	94
6.00	5.92	89.53	-6.00	<b>8.9</b>	9.0	64
8.00	8.01	66.17	-6.00	<b>12.4</b>	9.0	76
10.00	10.00	53.00	-6.00	<b>16.5</b>	8.5	90

Document Number: 0101106.FS2	Reviewed by: Geoff Riley, 09 May 2017
For External Distribution	Page 1 of 2

# PRODUCT FACT SHEET



<b>Product Name</b>	synchrony Semi-Finished Flat-Top Bifocal 76 x 28mm 1.5
---------------------	--

**Surfacing:** Recommended centre & edge thicknesses for all regions:

Power Range (D)	USA Market Minimum Centre Thickness (mm)	Int'l Market Minimum Centre Thickness (mm)	Minimum Edge Thickness (mm)
-7.00 to -2.00	2.0	1.5	
-1.75 to +2.00	2.0 or *	2.0 or *	1.0 *
+2.25 to +4.00			1.0
+4.25 to +8.00			0.5

\* Thicknesses are based on whichever is the limiting factor

<p><b>Front Surface Geometry:</b></p>	<p><b>Recommended Range Chart:</b></p>
<p><b>Back Surface Coding:</b></p>	

Document Number: 0101106.FS2	Reviewed by: Geoff Riley, 09 May 2017
For External Distribution	Page 2 of 2

# PRODUCT FACT SHEET



<b>Product Name</b>	synchrony Semi-Finished Flat-Top Bifocal 72 x 35mm 1.5
---------------------	--

## Customer Product Codes

Product	CAT Code:	LGC:	LGC Description:	Notes:	FDA:
Uncoated	221	L2053	SYNC SF B FT35 15 UNC ---	COO required	Yes, disclaimer required
Hard Coated	515	L2138	SYNC SF B FT35 15 HC ---		

## Product Range:

Nominal Diameter (mm)	Nominal Seg Size (mm)	Nominal Base Curve (D)	Add Power Range (D)	Recommended Rx Range (D)
72	35	0.50	0.75 to 3.00	-12.00 to -7.25
72	35	2.50	0.75 to 3.00	-7.00 to -4.25
72	35	4.00	0.75 to 3.00	-4.00 to -2.25
72	35	6.00	0.75 to 3.00	-2.00 to +2.00
72	35	8.00	0.75 to 3.00	+2.25 to +4.50
72	35	10.00	0.75 to 3.00	+4.75 to +8.00

## Material & Coating Specifications:

<b>Type</b>	<b>1.5 Polymer</b>
<b>Refractive Index</b>	$n_d = 1.499$ $n_e = 1.500$
<b>Abbe Number</b>	$v_d = 58$ $v_e = 56$
<b>Density</b>	1.32 g/cm <sup>3</sup>
<b>UV Protection (ISO)</b>	UVA : 91 %, UVB : 100 % 2.0 mm Centre Thickness
<b>Coating Type</b>	<b>Uncoated &amp; Hard Coated</b>

## Lens Geometry:

Nominal Base	True Front Curve (D) (1.530)	Radii (mm)	Nominal Back Curve (D)	Centre Thickness (± 1.0mm)	Nominal Edge Thickness (mm)
0.50	0.37	1432.43	-3.00	<b>12.8</b>	16.0
2.50	2.15	246.51	-6.00	<b>11.0</b>	16.0
4.00	3.68	144.02	-6.00	<b>9.9</b>	13.0
6.00	5.92	89.53	-6.00	<b>7.9</b>	8.0
8.00	8.01	66.17	-6.00	<b>11.5</b>	8.5
10.00	10.00	53.00	-6.00	<b>15.0</b>	8.5

Document Number: 00062.FS2	Reviewed by: Geoff Riley, 09 May 2017
For External Distribution	Page 1 of 2

# PRODUCT FACT SHEET



**Product Name**

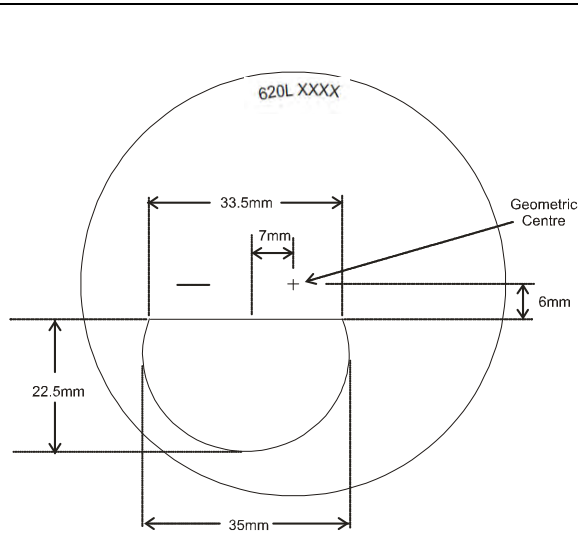
synchrony Semi-Finished Flat-Top Bifocal 72 x 35mm 1.5

**Surfacing:** Recommended centre & edge thicknesses for all regions:

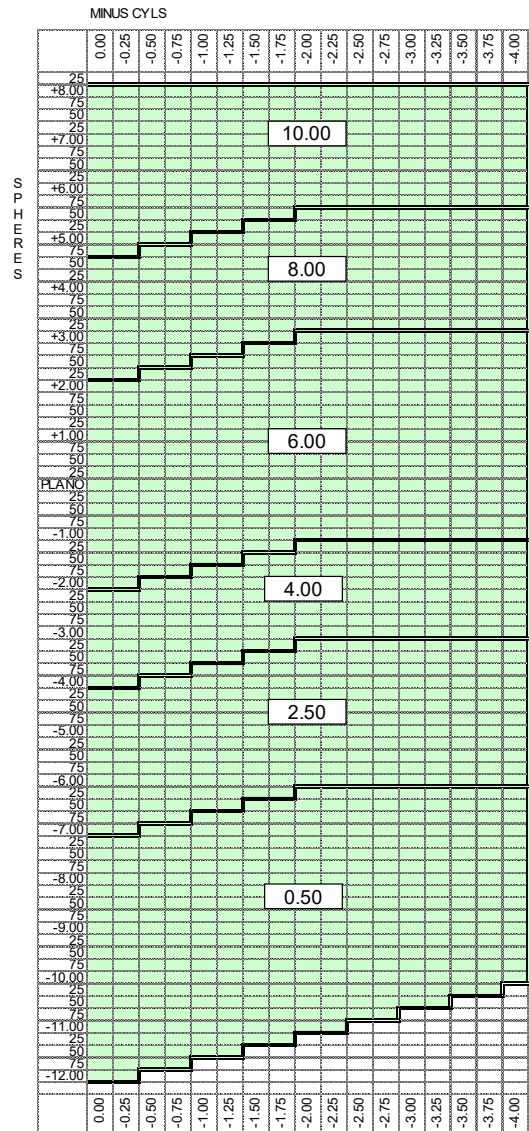
Power Range (D)	USA Market Minimum Centre Thickness (mm)	Int'l Market Minimum Centre Thickness (mm)	Minimum Edge Thickness (mm)
-12.00 to -2.00	2.0	1.5	
-1.75 to +2.00	2.0 or *	2.0 or *	1.0 *
+2.25 to +4.00			1.0
+4.25 to +8.00			0.5

\* Thicknesses are based on whichever is the limiting factor

**Front Surface Geometry:**



**Recommended Range Chart:**



**Back Surface Coding:**



Document Number: 00062.FS2

Reviewed by: Geoff Riley, 09 May 2017

For External Distribution

Page 2 of 2

# PRODUCT FACT SHEET



<b>Product Name</b>	synchrony Semi-Finished Flat-Top Bifocal 76 x 35mm 1.5
---------------------	--

## Customer Product Codes

Product	CAT Code:	LGC:	LGC Description:	Notes:	FDA:
Uncoated	127	L2038	SYNC SF B FT35 15 UNC ---	COO required	Yes, disclaimer required
Hard Coated	770	L2186	SYNC SF B FT35 15 HC ---		

## Product Range:

Nominal Diameter (mm)	Nominal Seg Size (mm)	Nominal Base Curve (D)	Add Power Range (D)	Recommended Rx Range (D)
76	35	2.50	1.00 to 3.00	-7.00 to -4.25
76	35	4.00	1.00 to 3.00	-4.00 to -2.25
76	35	6.00	1.00 to 3.00	-2.00 to +2.00
76	35	8.00	1.00 to 3.00	+2.25 to +4.50

## Material & Coating Specifications:

<b>Type</b>	<b>1.5 Polymer</b>
<b>Refractive Index</b>	$n_d = 1.499$ $n_e = 1.500$
<b>Abbe Number</b>	$v_d = 58$ $v_e = 56$
<b>Density</b>	1.32 g/cm <sup>3</sup>
<b>UV Protection (ISO)</b>	UVA : 91 %, UVB : 100 % 2.0 mm Centre Thickness
<b>Coating Type</b>	<b>Uncoated &amp; Hard Coated</b>

## Lens Geometry:

Nominal Base	True Front Curve (D) (1.530)	Radii (mm)	Nominal Back Curve (D)	Centre Thickness (mm) ( $\pm 1.0$ )	Nominal Edge Thickness (mm)	Packaged Weight (g)
2.50	2.15	246.51	-3.00	<b>15.8</b>	17.0	110
4.00	3.68	144.02	-6.00	<b>11.5</b>	15.0	91
6.00	5.92	89.53	-6.00	<b>8.9</b>	9.0	64
8.00	8.01	66.17	-6.00	<b>12.4</b>	9.0	75

## Surfacing: Recommended centre & edge thicknesses for all regions:

Power Range (D)	USA Market Minimum Centre Thickness (mm)	Int'l Market Minimum Centre Thickness (mm)	Minimum Edge Thickness (mm)
-7.00 to -2.00	2.0	1.5	
-1.75 to +2.00	2.0 or *	2.0 or *	1.0 *
+2.25 to +4.00			1.0
+4.25 to +4.50			0.5

\* Thicknesses are based on whichever is the limiting factor

Document Number: 00061.FS2	Reviewed by: Geoff Riley, 09 May 2017
For External Distribution	Page 1 of 2



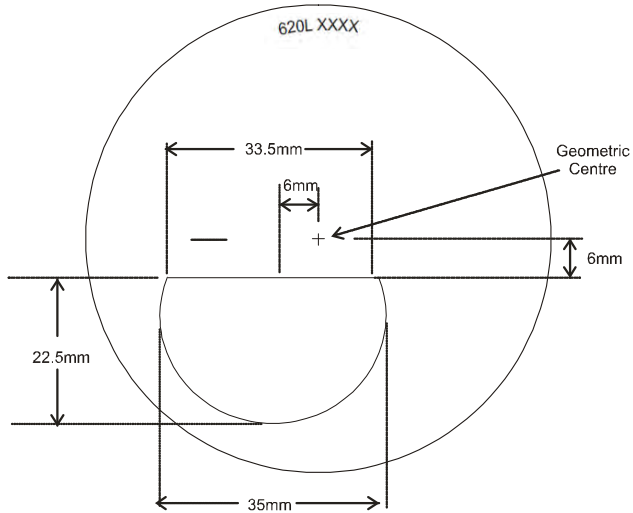
# PRODUCT FACT SHEET



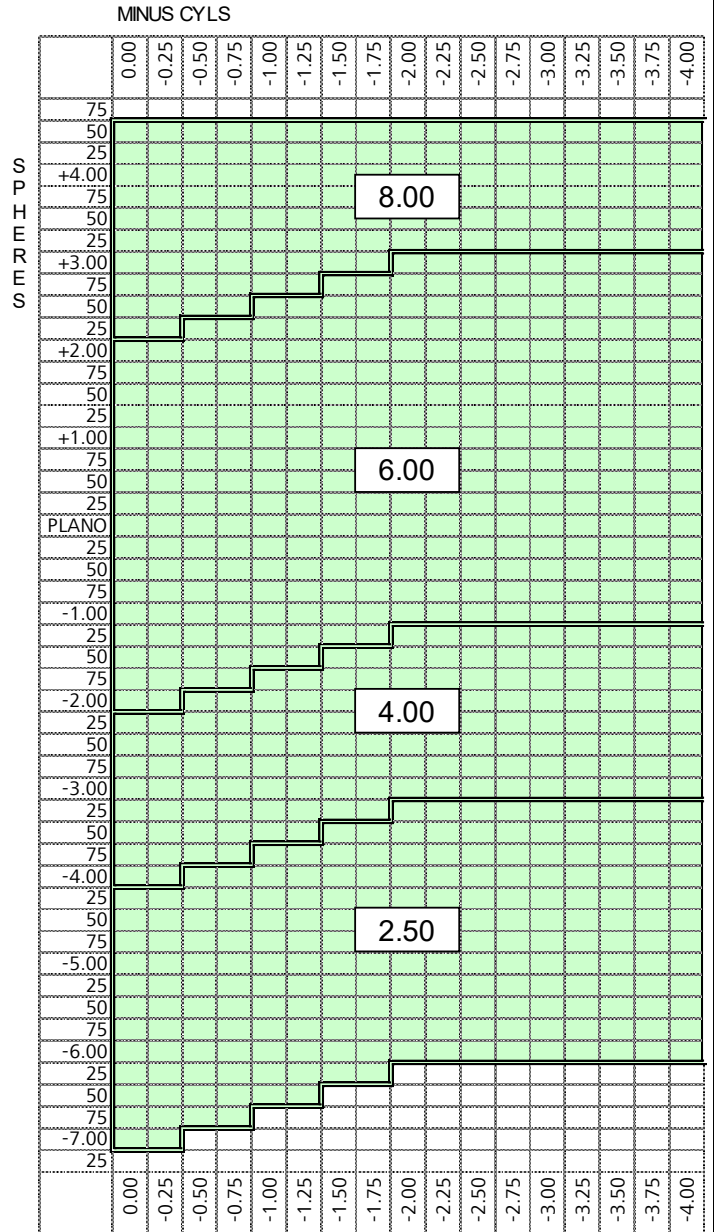
**Product Name**

synchrony Semi-Finished Flat-Top Bifocal 76 x 35mm 1.5

**Front Surface Geometry:**



**Recommended Range Chart:**



**Back Surface Coding:**



Document Number: 00061.FS2

For External Distribution

Reviewed by: Geoff Riley, 09 May 2017

Page 2 of 2

# PRODUCT FACT SHEET



<b>Product Name</b>	synchrony Semi-Finished Blended Round Seg Bifocal 76 x 28mm 1.5
---------------------	---

## Customer Product Codes

Product	CAT Code:	LGC:	LGC Description:	Notes:	FDA:
Hard Coated	755	L2183	SYNC SF B RS28 15 HC ---	COO required	Yes, disclaimer required

## Product Range:

Nominal Diameter (mm)	Nominal Seg Size (mm)	Nominal Base Curve (D)	Add Power Range (D)	Recommended Rx Range (D)
76	28	4.00	0.75 to 3.00	-4.00 to -2.25
		6.00	0.75 to 3.00	-2.00 to +2.00
		8.00	0.75 to 3.00	+2.25 to +4.50

## Material & Coating Specifications:

<b>Type</b>	<b>1.5 Polymer</b>
<b>Refractive Index</b>	$n_d = 1.499$ $n_e = 1.500$
<b>Abbe Number</b>	$v_d = 58$ $v_e = 56$
<b>Density</b>	1.32 g/cm <sup>3</sup>
<b>UV Protection (ISO)</b>	UVA : 91 %, UVB : 100 % 2.0 mm Centre Thickness
<b>Coating Type</b>	<b>Hard Coated</b>

## Lens Geometry:

Nominal Base	True Front Curve (D) (1.530)	Radii (mm)	Nominal Back Curve (D)	Centre Thickness (mm) ( $\pm 1.0$ )	Nominal Edge Thickness (mm)	Nominal Packaged Weight (g)
4.00	3.68	144.02	-6.00	<b>11.5</b>	15.0	91
6.00	5.92	89.53	-6.00	<b>8.9</b>	9.0	64
8.00	8.01	66.17	-6.00	<b>12.4</b>	9.0	76

## Surfacing: Recommended centre & edge thicknesses for all regions:

Power Range (D)	USA Market Minimum Centre Thickness (mm)	Int'l Market Minimum Centre Thickness (mm)	Minimum Edge Thickness (mm)
-4.00 to -2.00	2.0	1.5	
-1.75 to +2.00	2.0 or *	2.0 or *	1.0 *
+2.25 to +4.00			1.0
+4.25 to +4.50			0.5

\* Thicknesses are based on whichever is the limiting factor .

Document Number: 0101145.FS2	Reviewed by: Geoff Riley, 10 May 2017
For External Distribution	Page 1 of 2

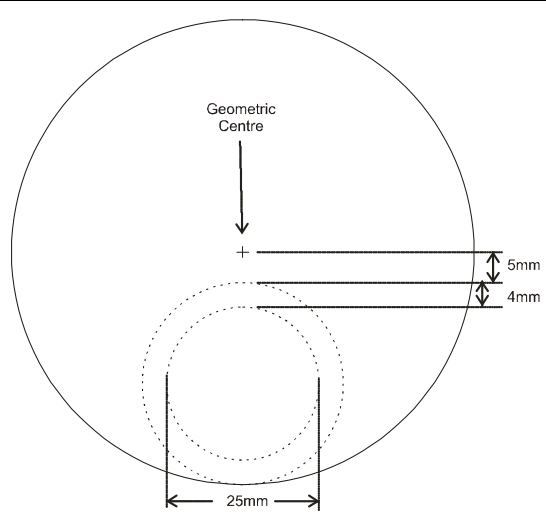
# PRODUCT FACT SHEET



**Product Name**

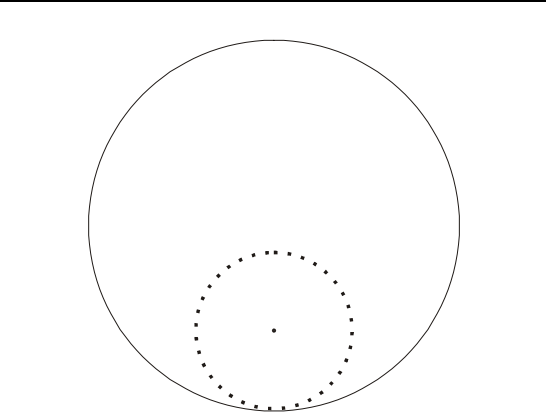
synchrony Semi-Finished Blended Round Seg Bifocal 76 x 28mm 1.5

**Front Surface Geometry:**



**Front Surface Ink Markings:**

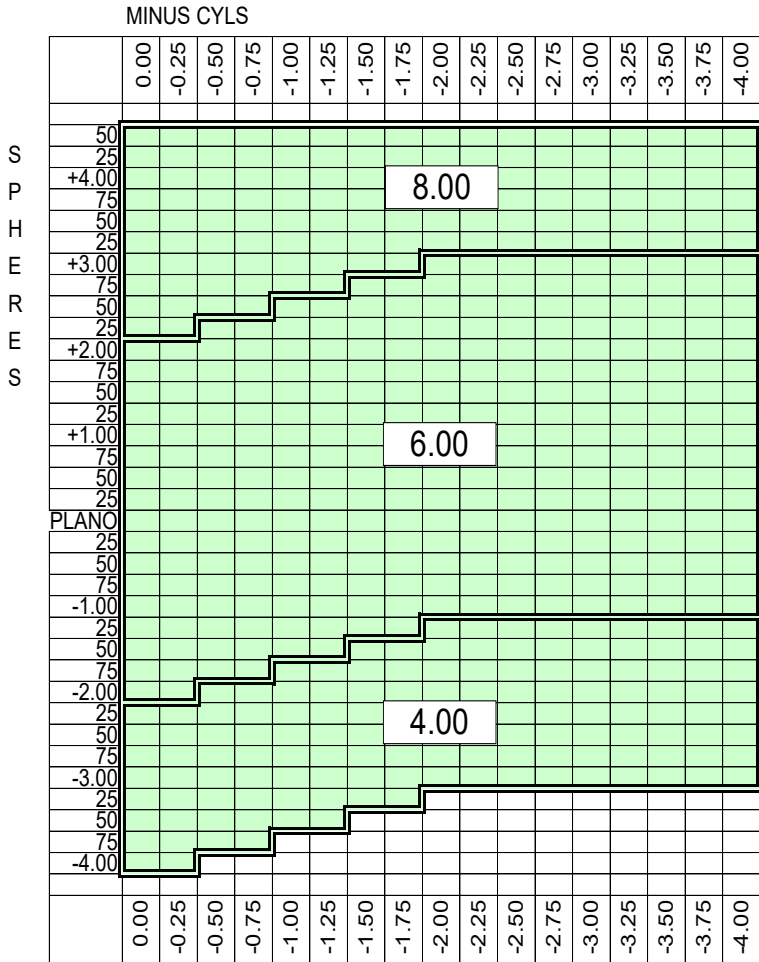
32mm dotted circle positioned 21.5 mm below Geometric Centre



**Back Surface Coding:**



**Recommended Range Chart:**



Document Number: 0101145.FS2

For External Distribution

Reviewed by: Geoff Riley, 10 May 2017

Page 2 of 2

# PRODUCT FACT SHEET



<b>Product Name</b>	synchrony Semi-Finished Round Seg Bifocal 76 x 24mm 1.5
---------------------	---

## Customer Product Codes

Product	CAT Code:	LGC:	LGC Description:	Notes:	FDA:
Uncoated	677	L2033	SYNC SF B RS24 15 UNC ---	COO required	Yes, disclaimer required
Hard Coated	779	L2193	SYNC SF B RS24 15 HC ---		

## Product Range:

Nominal Diameter (mm)	Nominal Seg Size (mm)	Nominal Base Curve (D)	Add Power Range (D)	Recommended Rx Range (D)
76	24	4.00	1.00 to 3.00	-4.00 to -2.25
		6.00	1.00 to 3.00	-2.00 to +2.00
		8.00	1.00 to 3.00	+2.25 to +4.50

## Material & Coating Specifications:

<b>Type</b>	<b>1.5 Polymer</b>
<b>Refractive Index</b>	$n_d = 1.499$ $n_e = 1.500$
<b>Abbe Number</b>	$v_d = 58$ $v_e = 56$
<b>Density</b>	1.32 g/cm <sup>3</sup>
<b>UV Protection (ISO)</b>	UVA : 91 %, UVB : 100 % 2.0 mm Centre Thickness
<b>Coating Type</b>	<b>Uncoated &amp; Hard Coated</b>

## Lens Geometry:

Nominal Base	True Front Curve (D) (1.530)	Radii (mm)	Nominal Back Curve (D)	Centre Thickness (mm) ( $\pm 1.0$ )	Nominal Edge Thickness (mm)	Nominal Packaged Weight (g)
4.00	3.68	144.02	-6.00	<b>11.5</b>	15.0	91
6.00	5.92	89.53	-6.00	<b>8.9</b>	9.0	64
8.00	8.01	66.17	-6.00	<b>12.4</b>	9.0	76

## Surfacing: Recommended centre & edge thicknesses for all regions:

Power Range (D)	USA Market Minimum Centre Thickness (mm)	Int'l Market Minimum Centre Thickness (mm)	Minimum Edge Thickness (mm)
-4.00 to -2.00	2.0	1.5	
-1.75 to +2.00	2.0 or *	2.0 or *	1.0 *
+2.25 to +4.00			1.0
+4.25 to +4.50			0.5

\* Thicknesses are based on whichever is the limiting factor

Document Number: 0101114.FS3	Reviewed by: Geoff Riley, 12 May 2017
For External Distribution	Page 1 of 2

# PRODUCT FACT SHEET



<b>Product Name</b>	synchrony Semi-Finished Round Seg Bifocal 76 x 24mm 1.5
---------------------	---

**Ink Markings:** None

<p><b>Front Surface Geometry:</b></p>	<p><b>Recommended Base Curve Selection Chart:</b></p> <p>MINUS CYLS</p> <table border="1"> <tr> <td></td> <td>0.00</td><td>-0.25</td><td>-0.50</td><td>-0.75</td><td>-1.00</td><td>-1.25</td><td>-1.50</td><td>-1.75</td><td>-2.00</td><td>-2.25</td><td>-2.50</td><td>-2.75</td><td>-3.00</td><td>-3.25</td><td>-3.50</td><td>-3.75</td><td>-4.00</td> </tr> <tr> <td>75</td> <td></td><td></td><td></td><td></td><td></td><td></td><td></td><td></td><td></td><td></td><td></td><td></td><td></td><td></td><td></td><td></td><td></td><td></td> </tr> <tr> <td>50</td> <td></td><td></td><td></td><td></td><td></td><td></td><td></td><td></td><td></td><td></td><td></td><td></td><td></td><td></td><td></td><td></td><td></td><td></td> </tr> <tr> <td>25</td> <td></td><td></td><td></td><td></td><td></td><td></td><td></td><td></td><td></td><td></td><td></td><td></td><td></td><td></td><td></td><td></td><td></td><td></td> </tr> <tr> <td>+4.00</td> <td></td><td></td><td></td><td></td><td></td><td></td><td></td><td></td><td></td><td></td><td></td><td></td><td></td><td></td><td></td><td></td><td></td><td></td> </tr> <tr> <td>75</td> <td></td><td></td><td></td><td></td><td></td><td></td><td></td><td></td><td></td><td></td><td></td><td></td><td></td><td></td><td></td><td></td><td></td><td></td> </tr> <tr> <td>50</td> <td></td><td></td><td></td><td></td><td></td><td></td><td></td><td></td><td></td><td></td><td></td><td></td><td></td><td></td><td></td><td></td><td></td><td></td> </tr> <tr> <td>25</td> <td></td><td></td><td></td><td></td><td></td><td></td><td></td><td></td><td></td><td></td><td></td><td></td><td></td><td></td><td></td><td></td><td></td><td></td> </tr> <tr> <td>+3.00</td> <td></td><td></td><td></td><td></td><td></td><td></td><td></td><td></td><td></td><td></td><td></td><td></td><td></td><td></td><td></td><td></td><td></td><td></td> </tr> <tr> <td>75</td> <td></td><td></td><td></td><td></td><td></td><td></td><td></td><td></td><td></td><td></td><td></td><td></td><td></td><td></td><td></td><td></td><td></td><td></td> </tr> <tr> <td>50</td> <td></td><td></td><td></td><td></td><td></td><td></td><td></td><td></td><td></td><td></td><td></td><td></td><td></td><td></td><td></td><td></td><td></td><td></td> </tr> <tr> <td>25</td> <td></td><td></td><td></td><td></td><td></td><td></td><td></td><td></td><td></td><td></td><td></td><td></td><td></td><td></td><td></td><td></td><td></td><td></td> </tr> <tr> <td>+2.00</td> <td></td><td></td><td></td><td></td><td></td><td></td><td></td><td></td><td></td><td></td><td></td><td></td><td></td><td></td><td></td><td></td><td></td><td></td> </tr> <tr> <td>75</td> <td></td><td></td><td></td><td></td><td></td><td></td><td></td><td></td><td></td><td></td><td></td><td></td><td></td><td></td><td></td><td></td><td></td><td></td> </tr> <tr> <td>50</td> <td></td><td></td><td></td><td></td><td></td><td></td><td></td><td></td><td></td><td></td><td></td><td></td><td></td><td></td><td></td><td></td><td></td><td></td> </tr> <tr> <td>25</td> <td></td><td></td><td></td><td></td><td></td><td></td><td></td><td></td><td></td><td></td><td></td><td></td><td></td><td></td><td></td><td></td><td></td><td></td> </tr> <tr> <td>+1.00</td> <td></td><td></td><td></td><td></td><td></td><td></td><td></td><td></td><td></td><td></td><td></td><td></td><td></td><td></td><td></td><td></td><td></td><td></td> </tr> <tr> <td>75</td> <td></td><td></td><td></td><td></td><td></td><td></td><td></td><td></td><td></td><td></td><td></td><td></td><td></td><td></td><td></td><td></td><td></td><td></td> </tr> <tr> <td>50</td> <td></td><td></td><td></td><td></td><td></td><td></td><td></td><td></td><td></td><td></td><td></td><td></td><td></td><td></td><td></td><td></td><td></td><td></td> </tr> <tr> <td>25</td> <td></td><td></td><td></td><td></td><td></td><td></td><td></td><td></td><td></td><td></td><td></td><td></td><td></td><td></td><td></td><td></td><td></td><td></td> </tr> <tr> <td>PLANO</td> <td></td><td></td><td></td><td></td><td></td><td></td><td></td><td></td><td></td><td></td><td></td><td></td><td></td><td></td><td></td><td></td><td></td><td></td> </tr> <tr> <td>25</td> <td></td><td></td><td></td><td></td><td></td><td></td><td></td><td></td><td></td><td></td><td></td><td></td><td></td><td></td><td></td><td></td><td></td><td></td> </tr> <tr> <td>50</td> <td></td><td></td><td></td><td></td><td></td><td></td><td></td><td></td><td></td><td></td><td></td><td></td><td></td><td></td><td></td><td></td><td></td><td></td> </tr> <tr> <td>75</td> <td></td><td></td><td></td><td></td><td></td><td></td><td></td><td></td><td></td><td></td><td></td><td></td><td></td><td></td><td></td><td></td><td></td><td></td> </tr> <tr> <td>-100</td> <td></td><td></td><td></td><td></td><td></td><td></td><td></td><td></td><td></td><td></td><td></td><td></td><td></td><td></td><td></td><td></td><td></td><td></td> </tr> <tr> <td>25</td> <td></td><td></td><td></td><td></td><td></td><td></td><td></td><td></td><td></td><td></td><td></td><td></td><td></td><td></td><td></td><td></td><td></td><td></td> </tr> <tr> <td>50</td> <td></td><td></td><td></td><td></td><td></td><td></td><td></td><td></td><td></td><td></td><td></td><td></td><td></td><td></td><td></td><td></td><td></td><td></td> </tr> <tr> <td>75</td> <td></td><td></td><td></td><td></td><td></td><td></td><td></td><td></td><td></td><td></td><td></td><td></td><td></td><td></td><td></td><td></td><td></td><td></td> </tr> <tr> <td>-2.00</td> <td></td><td></td><td></td><td></td><td></td><td></td><td></td><td></td><td></td><td></td><td></td><td></td><td></td><td></td><td></td><td></td><td></td><td></td> </tr> <tr> <td>25</td> <td></td><td></td><td></td><td></td><td></td><td></td><td></td><td></td><td></td><td></td><td></td><td></td><td></td><td></td><td></td><td></td><td></td><td></td> </tr> <tr> <td>50</td> <td></td><td></td><td></td><td></td><td></td><td></td><td></td><td></td><td></td><td></td><td></td><td></td><td></td><td></td><td></td><td></td><td></td><td></td> </tr> <tr> <td>75</td> <td></td><td></td><td></td><td></td><td></td><td></td><td></td><td></td><td></td><td></td><td></td><td></td><td></td><td></td><td></td><td></td><td></td><td></td> </tr> <tr> <td>-3.00</td> <td></td><td></td><td></td><td></td><td></td><td></td><td></td><td></td><td></td><td></td><td></td><td></td><td></td><td></td><td></td><td></td><td></td><td></td> </tr> <tr> <td>25</td> <td></td><td></td><td></td><td></td><td></td><td></td><td></td><td></td><td></td><td></td><td></td><td></td><td></td><td></td><td></td><td></td><td></td><td></td> </tr> <tr> <td>50</td> <td></td><td></td><td></td><td></td><td></td><td></td><td></td><td></td><td></td><td></td><td></td><td></td><td></td><td></td><td></td><td></td><td></td><td></td> </tr> <tr> <td>75</td> <td></td><td></td><td></td><td></td><td></td><td></td><td></td><td></td><td></td><td></td><td></td><td></td><td></td><td></td><td></td><td></td><td></td><td></td> </tr> <tr> <td>-4.00</td> <td></td><td></td><td></td><td></td><td></td><td></td><td></td><td></td><td></td><td></td><td></td><td></td><td></td><td></td><td></td><td></td><td></td><td></td> </tr> <tr> <td>25</td> <td></td><td></td><td></td><td></td><td></td><td></td><td></td><td></td><td></td><td></td><td></td><td></td><td></td><td></td><td></td><td></td><td></td><td></td> </tr> </table>		0.00	-0.25	-0.50	-0.75	-1.00	-1.25	-1.50	-1.75	-2.00	-2.25	-2.50	-2.75	-3.00	-3.25	-3.50	-3.75	-4.00	75																			50																			25																			+4.00																			75																			50																			25																			+3.00																			75																			50																			25																			+2.00																			75																			50																			25																			+1.00																			75																			50																			25																			PLANO																			25																			50																			75																			-100																			25																			50																			75																			-2.00																			25																			50																			75																			-3.00																			25																			50																			75																			-4.00																			25																		
	0.00	-0.25	-0.50	-0.75	-1.00	-1.25	-1.50	-1.75	-2.00	-2.25	-2.50	-2.75	-3.00	-3.25	-3.50	-3.75	-4.00																																																																																																																																																																																																																																																																																																																																																																																																																																																																																																																																																																																																																																																																																																																																	
75																																																																																																																																																																																																																																																																																																																																																																																																																																																																																																																																																																																																																																																																																																																																																		
50																																																																																																																																																																																																																																																																																																																																																																																																																																																																																																																																																																																																																																																																																																																																																		
25																																																																																																																																																																																																																																																																																																																																																																																																																																																																																																																																																																																																																																																																																																																																																		
+4.00																																																																																																																																																																																																																																																																																																																																																																																																																																																																																																																																																																																																																																																																																																																																																		
75																																																																																																																																																																																																																																																																																																																																																																																																																																																																																																																																																																																																																																																																																																																																																		
50																																																																																																																																																																																																																																																																																																																																																																																																																																																																																																																																																																																																																																																																																																																																																		
25																																																																																																																																																																																																																																																																																																																																																																																																																																																																																																																																																																																																																																																																																																																																																		
+3.00																																																																																																																																																																																																																																																																																																																																																																																																																																																																																																																																																																																																																																																																																																																																																		
75																																																																																																																																																																																																																																																																																																																																																																																																																																																																																																																																																																																																																																																																																																																																																		
50																																																																																																																																																																																																																																																																																																																																																																																																																																																																																																																																																																																																																																																																																																																																																		
25																																																																																																																																																																																																																																																																																																																																																																																																																																																																																																																																																																																																																																																																																																																																																		
+2.00																																																																																																																																																																																																																																																																																																																																																																																																																																																																																																																																																																																																																																																																																																																																																		
75																																																																																																																																																																																																																																																																																																																																																																																																																																																																																																																																																																																																																																																																																																																																																		
50																																																																																																																																																																																																																																																																																																																																																																																																																																																																																																																																																																																																																																																																																																																																																		
25																																																																																																																																																																																																																																																																																																																																																																																																																																																																																																																																																																																																																																																																																																																																																		
+1.00																																																																																																																																																																																																																																																																																																																																																																																																																																																																																																																																																																																																																																																																																																																																																		
75																																																																																																																																																																																																																																																																																																																																																																																																																																																																																																																																																																																																																																																																																																																																																		
50																																																																																																																																																																																																																																																																																																																																																																																																																																																																																																																																																																																																																																																																																																																																																		
25																																																																																																																																																																																																																																																																																																																																																																																																																																																																																																																																																																																																																																																																																																																																																		
PLANO																																																																																																																																																																																																																																																																																																																																																																																																																																																																																																																																																																																																																																																																																																																																																		
25																																																																																																																																																																																																																																																																																																																																																																																																																																																																																																																																																																																																																																																																																																																																																		
50																																																																																																																																																																																																																																																																																																																																																																																																																																																																																																																																																																																																																																																																																																																																																		
75																																																																																																																																																																																																																																																																																																																																																																																																																																																																																																																																																																																																																																																																																																																																																		
-100																																																																																																																																																																																																																																																																																																																																																																																																																																																																																																																																																																																																																																																																																																																																																		
25																																																																																																																																																																																																																																																																																																																																																																																																																																																																																																																																																																																																																																																																																																																																																		
50																																																																																																																																																																																																																																																																																																																																																																																																																																																																																																																																																																																																																																																																																																																																																		
75																																																																																																																																																																																																																																																																																																																																																																																																																																																																																																																																																																																																																																																																																																																																																		
-2.00																																																																																																																																																																																																																																																																																																																																																																																																																																																																																																																																																																																																																																																																																																																																																		
25																																																																																																																																																																																																																																																																																																																																																																																																																																																																																																																																																																																																																																																																																																																																																		
50																																																																																																																																																																																																																																																																																																																																																																																																																																																																																																																																																																																																																																																																																																																																																		
75																																																																																																																																																																																																																																																																																																																																																																																																																																																																																																																																																																																																																																																																																																																																																		
-3.00																																																																																																																																																																																																																																																																																																																																																																																																																																																																																																																																																																																																																																																																																																																																																		
25																																																																																																																																																																																																																																																																																																																																																																																																																																																																																																																																																																																																																																																																																																																																																		
50																																																																																																																																																																																																																																																																																																																																																																																																																																																																																																																																																																																																																																																																																																																																																		
75																																																																																																																																																																																																																																																																																																																																																																																																																																																																																																																																																																																																																																																																																																																																																		
-4.00																																																																																																																																																																																																																																																																																																																																																																																																																																																																																																																																																																																																																																																																																																																																																		
25																																																																																																																																																																																																																																																																																																																																																																																																																																																																																																																																																																																																																																																																																																																																																		
<p><b>Back Surface Curve: Cast on Visible Code:</b></p>																																																																																																																																																																																																																																																																																																																																																																																																																																																																																																																																																																																																																																																																																																																																																		

Document Number: 0101114.FS3	Reviewed by: Geoff Riley, 12 May 2017
For External Distribution	Page 2 of 2

# PRODUCT FACT SHEET



<b>Product Name</b>	synchrony Semi-Finished Flat-Top Bifocal 66 x 28mm 1.523 Mineral White & PhotoGray Extra
---------------------	---

## Customer Product Codes

Product:	CAT Code:	LGC:	LGC Description:	Notes:	FDA:
White	040	L2014	SYNC SF B FT28 M15 UNC ---	COO required	Yes, disclaimer required
PGX	041	L2015	SYNC SF B FT28 M15 PH GRY UNC G--		

## Product Range:

Nominal Diameter (mm)	Nominal Base Curve (D)	Add Power Range (D)	Recommended Rx Range (D)
66	4.25	0.75 to 4.00	-4.00 to -2.25
66	6.25	0.75 to 4.00	-2.00 to +2.00
66	8.25	0.75 to 4.00	+2.25 to +5.50

## Material & Coating Specifications:

Type	White Glass	PhotoGray Extra Glass
<b>Refractive Index</b>	$n_d = 1.523$ $n_e = 1.525$	$n_d = 1.523$ $n_e = 1.525$
<b>Abbe Number</b>	$v_d = 59$ $v_e = 58$	$v_d = 57$ $v_e = 57$
<b>Density</b>	2.54 g/cm <sup>3</sup>	2.41 g/cm <sup>3</sup>
<b>UV Protection (ISO)</b>	UVA : 20 %, UVB : 79 % 1.5 mm Centre Thickness	UVA : 97 %, UVB : 100 % Activated, 1.5 mm Centre Thickness
<b>Coating Type</b>	Uncoated	

## Lens Geometry:

Nominal Base	True Front Curve (1.530) (D)	True Front Radii (mm)	Nominal Back Curve (D)	Centre Thickness ( $\pm 1.0$ mm)	Nominal Edge Thickness (mm)
4.25	4.15	127.71	-6.00	<b>7.8</b>	8.9
6.25	6.20	85.48	-6.00	<b>6.8</b>	5.5
8.25	8.17	64.87	-6.00	<b>7.5</b>	4.9

## Surfacing: Recommended centre & edge thicknesses for all regions:

Power Range (D)	Minimum Centre Thickness (mm)	Minimum Edge Thickness (mm)
-4.00 to -1.00	2.0	
-0.75 to +2.75	2.0*	1.7*
+3.00 to +5.50		1.7

\* Thicknesses are based on whichever is the limiting factor

Document Number: 0102066.FS2	Reviewed by: Geoff Riley, 02 Jun 2017
For External Distribution	Page 1 of 2

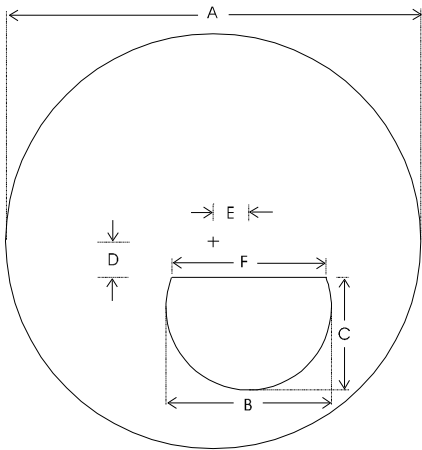
# PRODUCT FACT SHEET



**Product Name**

synchrony Semi-Finished Flat-Top Bifocal 66 x 28mm  
1.523 Mineral White & Photogray Extra

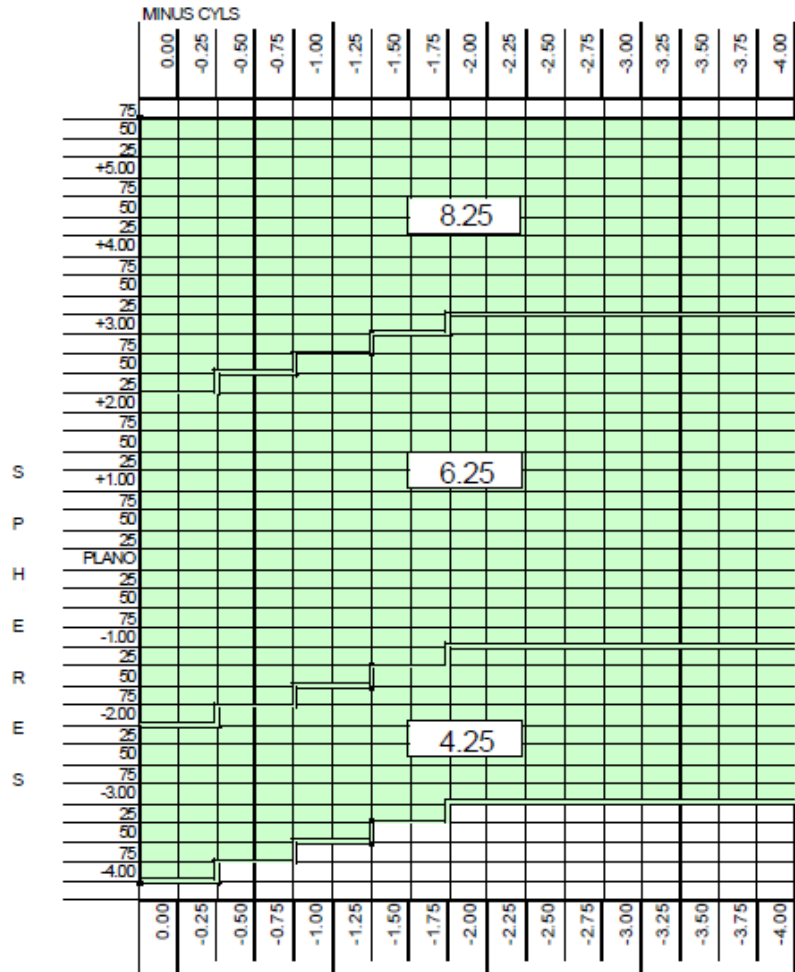
**Lens Geometry continued:**



Code	Description	Value (mm)
A	Nominal Diameter	66
B	Seg Diameter	28.0
C	Seg Depth	23.0
D	Distance Below Datum	4.0
E	Inset From Datum	5.5
F *	Seg Line Length	21.5

\* Seg dimensions vary slightly as a function of add power. Nominal value only shown.

**Recommended Base Curve Selection Chart:**



**Product Markings:** None

Document Number: 0102066.FS2	Reviewed by: Geoff Riley, 02 Jun 2017
For External Distribution	Page 2 of 2

# PRODUCT FACT SHEET



<b>Product Name</b>	synchrony Semi-Finished Flat-Top Bifocal 71 x 28mm 1.523 Mineral White & PhotoGray Extra
---------------------	---

## Customer Product Codes

Product:	CAT Code:	LGC:	LGC Description:	Notes:	FDA:
White	044	L2018	SYNC SF B FT28 M15 UNC ---	COO required	Yes, disclaimer required
PGX	046	L2020	SYNC SF B FT28 M15 PH GRY UNC G--		

## Product Range:

Nominal Diameter (mm)	Nominal Base Curve (D)	Add Power Range (D)	Recommended Rx Range (D)
71	2.00	1.00 to 3.00	-7.00 to -4.25
71	4.25	1.00 to 3.50	-4.00 to -2.25
71	6.25	1.00 to 3.50	-2.00 to +2.00
71	8.25	1.00 to 3.50	+2.25 to +5.50

## Material & Coating Specifications:

Type	White Glass	PhotoGray Extra Glass
<b>Refractive Index</b>	$n_d = 1.523$ $n_e = 1.525$	$n_d = 1.523$ $n_e = 1.525$
<b>Abbe Number</b>	$v_d = 59$ $v_e = 58$	$v_d = 57$ $v_e = 57$
<b>Density</b>	2.54 g/cm <sup>3</sup>	2.41 g/cm <sup>3</sup>
<b>UV Protection (ISO)</b>	UVA : 20 %, UVB : 79 % 1.5 mm Centre Thickness	UVA : 97 %, UVB : 100 % Activated, 1.5 mm Centre Thickness
<b>Coating Type</b>	Uncoated	

## Lens Geometry:

Nominal Base	True Front Curve (1.530) (D)	True Front Radii (mm)	Nominal Back Curve (D)	Centre Thickness ( $\pm 1.0$ mm)	Nominal Edge Thickness (mm)
2.00	2.00	265	-6.00	<b>8.7</b>	13.3
4.25	4.15	127.71	-6.00	<b>8.0</b>	9.9
6.25	6.20	85.48	-6.00	<b>7.1</b>	6.3
8.25	8.17	64.87	-6.00	<b>10.0</b>	5.8

## Surfacing: Recommended centre & edge thicknesses for all regions:

Power Range (D)	Minimum Centre Thickness (mm)	Minimum Edge Thickness (mm)
-7.00 to -1.00	2.0	
-0.75 to +2.75	2.0*	1.7*
+3.00 to +5.50		1.7

\* Thicknesses are based on whichever is the limiting factor

Document Number: 0102069.FS2	Reviewed by: Geoff Riley, 20 Jul 2017
For External Distribution	Page 1 of 2



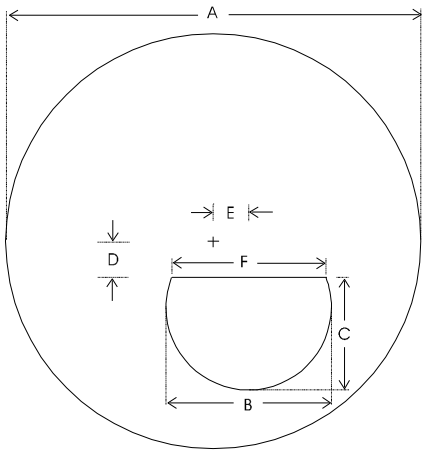
# PRODUCT FACT SHEET



**Product Name**

synchrony Semi-Finished Flat-Top Bifocal 71 x 28mm  
1.523 Mineral White & Photogray Extra

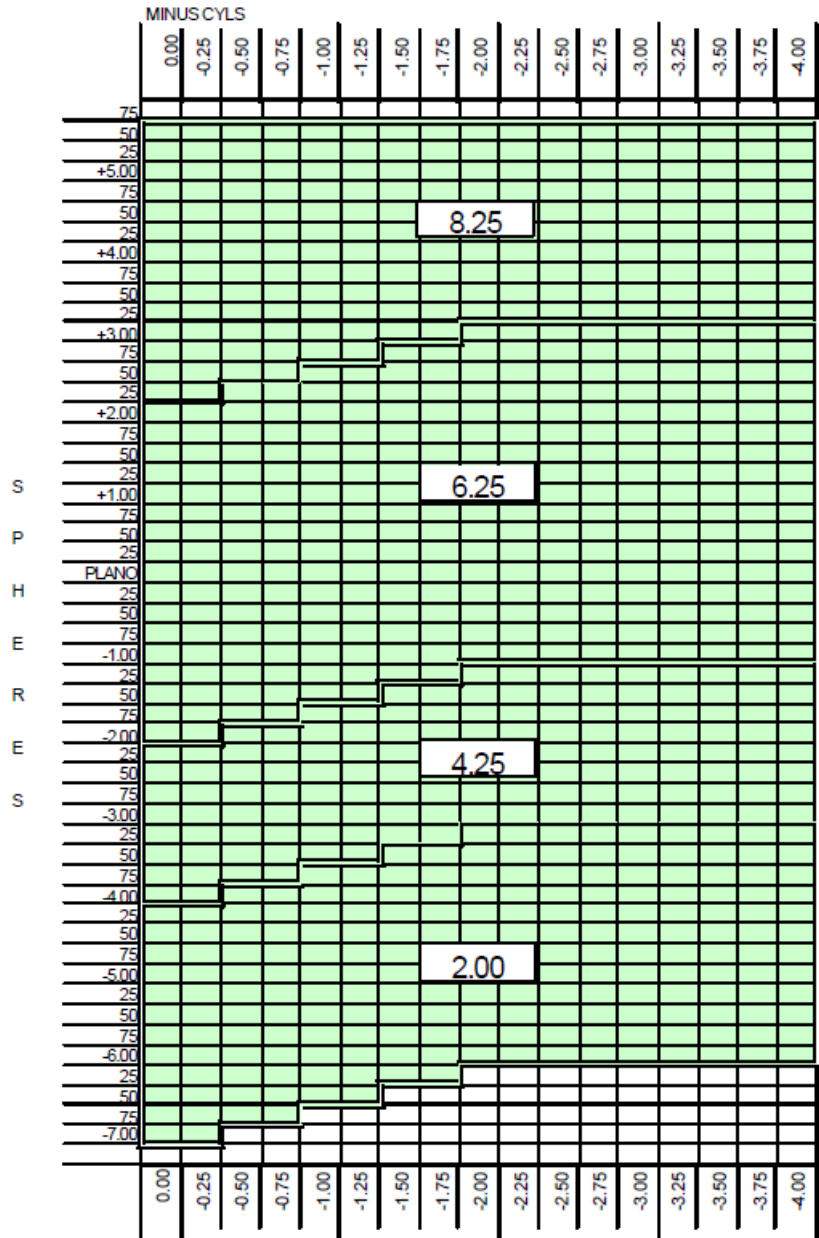
**Lens Geometry continued:**



Code	Description	Value (mm)
A	Nominal Diameter	71
B	Seg Diameter	28.0
C	Seg Depth	23.0
D	Distance Below Datum	6.0
E	Inset From Datum	7.0
F *	Seg Line Length	21.5

\* Seg dimensions vary slightly as a function of add power. Nominal value only shown.

**Recommended Base Curve Selection Chart:**



**Product Markings:** None

Document Number: 0102069.FS2	Reviewed by: Geoff Riley, 20 Jul 2017
For External Distribution	Page 2 of 2

# PRODUCT FACT SHEET



<b>Product Name</b>	synchrony Semi-Finished FLAT-TOP Trifocal 76 x 7 x 28mm 1.5 Photochromic
---------------------	--

## 1. Customer Product Codes

CAT Code:	LGC:	LGC Description:	Notes:	FDA:
C25	L6852	SYNC SF T FTT28 15 PH GRY HC B--	Country of Origin required on Label	US FDA disclaimer Required

## 2. Product Range:

Nominal Diameter (mm)	Nominal Base Curve (D)	Add Power Range (D)	Rx Range Recommended (D)
76	4.00	1.50 to 3.00	-4.00 to -2.25
76	6.00	1.50 to 3.00	-2.00 to +2.00
76	8.00	1.50 to 3.00	+2.25 to +6.00

## 3. Material & Coating Specifications:

Type	1.5 Photochromic
Refractive Index	$n_d = 1.502$ $n_e = 1.504$
Abbe Number	$v_d = 54$ $v_e = 52$
Density	1.18 g/cm <sup>3</sup>
Luminous Transmittance (clear state)	≥ 87%
UV Protection (ISO)	Coated, Activated : 2.0 mm Centre Thickness: UVA : 100 %,    UVB : 100 %
Coating Type	Hard Coated

## 4. Lens Geometry: Curves measured in 1.530 Index, at the Geometric Centre

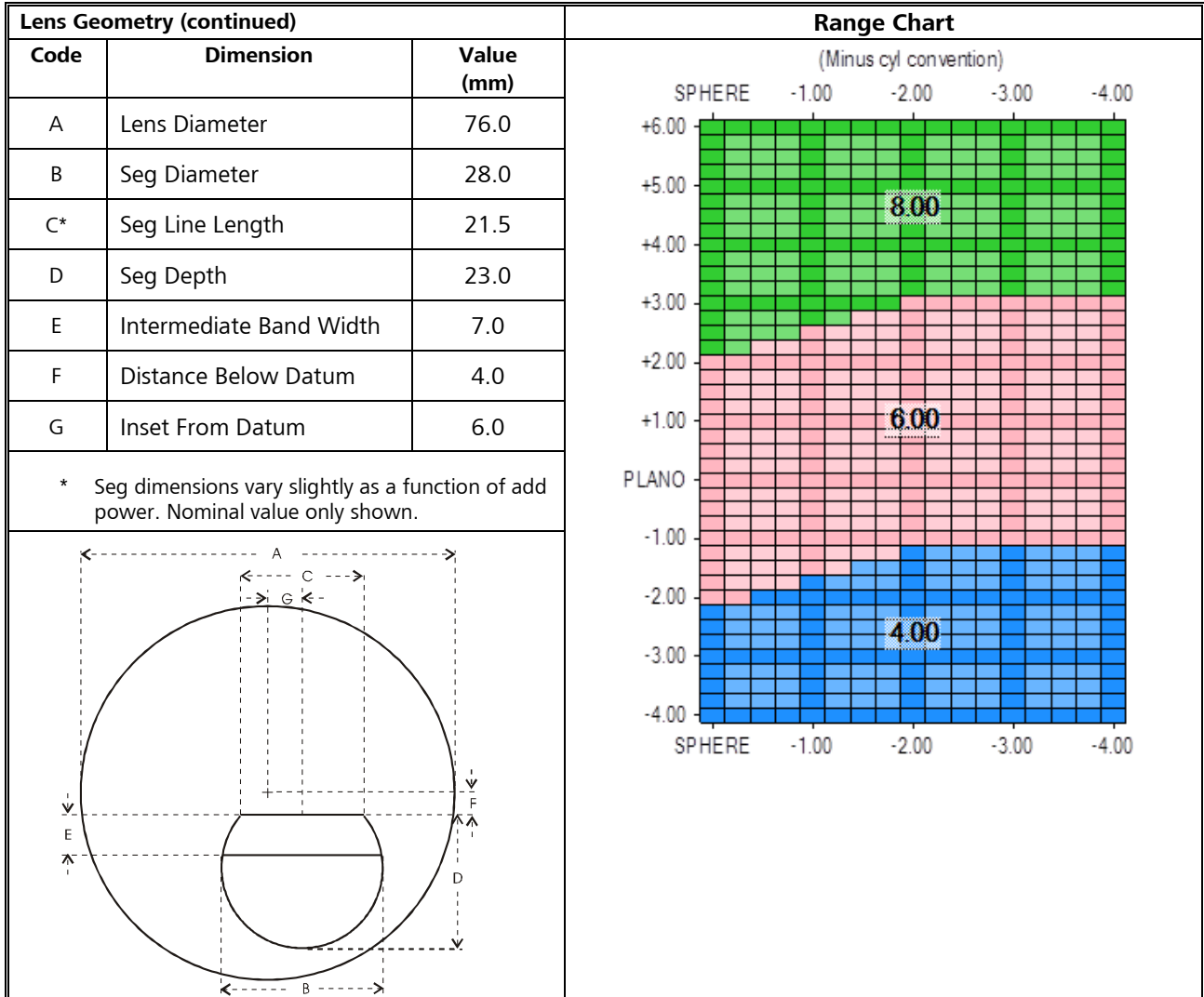
Nominal Base	True Front Curve (D)	Radii (mm)	Nominal Back Curve (D)	Centre Thickness (mm) (± 1.0mm)	Nominal Edge Thickness (mm)	Nominal Packaged weight (g)
4.00	3.68	144.02	-6.00	<b>11.4</b>	14.7	86
6.00	5.89	89.98	-6.00	<b>8.9</b>	9.0	66
8.00	8.01	66.17	-6.00	<b>12.4</b>	9.0	77

Document Number: 00596.FS2	Reviewed by: Geoff Riley, 02 Sep 2016
For External Distribution	Page 1 of 3

# PRODUCT FACT SHEET



<b>Product Name</b>	synchrony Semi-Finished FLAT-TOP Trifocal 76 x 7 x 28mm 1.5 Photochromic
---------------------	--



**5. Surfacing:** Recommended centre & edge thicknesses for all regions:

Power Range (D)	USA Market Minimum Centre Thickness	Int'l Market Minimum Centre Thickness (mm)	All Markets Minimum Edge Thickness (mm)
High Minus to -2.00	2.0	2.0	
-1.75 to +2.00	2.0 or *	2.0 or *	1.5 *
+2.25 to High Pus			1.5

\* Thicknesses are based on whichever is the limiting factor

Document Number: 00596.FS2	Reviewed by: Geoff Riley, 02 Sep 2016
For External Distribution	Page 2 of 3

# PRODUCT FACT SHEET



<b>Product Name</b>	synchrony Semi-Finished FLAT-TOP Trifocal 76 x 7 x 28mm 1.5 Photochromic
---------------------	--

## 6. Product Markings: Samples

Permanent Markings – Front Surface	Permanent Markings – Back Surface
<p>600-100R XXXX</p>	<p>20865 600-200 R FTT 28 H-PF</p>

Document Number: 00596.FS2	Reviewed by: Geoff Riley, 02 Sep 2016
For External Distribution	Page 3 of 3

# PRODUCT FACT SHEET



<b>Product Name</b>	synchrony Semi-Finished Flat-Top Trifocal 72 x 7 x 28mm 1.5
---------------------	---

## Customer Product Codes

Product	CAT Code:	LGC:	LGC Description:	Notes:	FDA:
Uncoated	227	L2059	SYNC SF T FTT28 15 UNC ---	COO required	Yes, disclaimer required
Hard Coated	512	L2135	SYNC SF T FTT28 15 HC ---		

## Product Range:

Nominal Diameter (mm) *	Nominal Base Curve (D)	Add Power Range (D)	Recommended Rx Range (D)
72	2.50	1.50 to 3.50 & 4.00	-7.25 to -4.25
72	4.00	1.50 to 3.50 & 4.00	-4.00 to -2.25
72	6.00	1.50 to 3.50 & 4.00	-2.00 to +2.00
72	8.00	1.50 to 3.50 & 4.00	+2.25 to +4.50
72	10.00	1.50 to 3.50 & 4.00	+4.75 to +8.00

## Material & Coating Specifications:

<b>Type</b>	1.5 Polymer	
<b>Refractive Index</b>	$n_d = 1.499$	$n_e = 1.500$
<b>Abbe Number</b>	$v_d = 58$	$v_e = 56$
<b>Density</b>	1.32 g/cm <sup>3</sup>	
<b>UV Protection (ISO)</b>	UVA : 91 %, UVB : 100 % 2.0 mm Centre Thickness	
<b>Coating Type</b>	Uncoated & Hard Coated	

## Lens Geometry:

	<b>Code</b>	<b>Description</b>	<b>Dimension (mm)</b>		
	A	Nominal Diameter	72		
	B	Segment Diameter	28.0		
	C *	Segment Line Width	21.5		
	D	Segment Depth	23.0		
	E	Intermediate Band	7.0		
	F	Distance Below Datum	3.0		
	G	Inset From Datum	7.0		
* Seg dimensions vary slightly as a function of add power. Nominal value only shown.					
<b>Nominal Base</b>	<b>True Front Curve (D) (1.530)</b>	<b>Radii (mm)</b>	<b>Nominal Back Curve (D)</b>	<b>Centre Thickness (± 1.0mm)</b>	<b>Nominal Edge Thickness (mm)</b>
2.50	2.15	246.51	-6.00	<b>11.0</b>	16.0
4.00	3.68	144.02	-6.00	<b>9.9</b>	13.0
6.00	5.92	89.53	-6.00	<b>7.9</b>	8.0
8.00	8.01	66.17	-6.00	<b>11.5</b>	8.5
10.00	10.00	53.00	-6.00	<b>15.0</b>	8.5

Document Number: 00022.FS3	Reviewed by: Geoff Riley, 12 May 2017
For External Distribution	Page 1 of 2

# PRODUCT FACT SHEET



<b>Product Name</b>	synchrony Semi-Finished Flat-Top Trifocal 72 x 7 x 28mm 1.5
---------------------	---

**Surfacing:** Recommended centre & edge thicknesses for all regions:

Power Range (D)	USA Market Minimum Centre Thickness (mm)	Int'l Market Minimum Centre Thickness (mm)	Minimum Edge Thickness (mm)
-7.25 to -2.00	2.0	1.5	
-1.75 to +2.00	2.0 or *	2.0 or *	1.0 *
+2.25 to +4.00			1.0
+4.25 to +8.00			0.5

\* Thicknesses are based on whichever is the limiting factor

**Product Markings:**

**Ink Markings:** None

<p><b>Front Surface Curve: Top Code Only:</b></p>	<p><b>Recommended Base Curve Selection Chart:</b></p>
<p><b>Back Surface Curve: Cast on Visible Code:</b></p>	

Document Number: 00022.FS3	Reviewed by: Geoff Riley, 12 May 2017
For External Distribution	Page 2 of 2

# PRODUCT FACT SHEET



<b>Product Name</b>	synchrony Semi-Finished Flat-Top Trifocal 72 x 8 x 35mm 1.5
---------------------	---

## Customer Product Codes

Product	CAT Code:	LGC:	LGC Description:	Notes:	FDA:
Uncoated	277	L2077	SYNC SF T FTT35 15 UNC ---	COO required	Yes, disclaimer required
Hard Coated	967	L2224	SYNC SF T FTT35 15 HC ---		

## Product Range:

Nominal Diameter (mm) *	Nominal Base Curve (D)	Add Power Range (D)	Recommended Rx Range (D)
72	4.00	1.50 to 3.00	-4.00 to -2.25
72	6.00	1.50 to 3.00	-2.00 to +2.00
72	8.00	1.50 to 3.00	+2.25 to +4.50

## Material & Coating Specifications:

<b>Type</b>	1.5 Polymer	
<b>Refractive Index</b>	$n_d = 1.499$	$n_e = 1.500$
<b>Abbe Number</b>	$v_d = 58$	$v_e = 56$
<b>Density</b>	1.32 g/cm <sup>3</sup>	
<b>UV Protection (ISO)</b>	UVA : 91 %, UVB : 100 % 2.0 mm Centre Thickness	
<b>Coating Type</b>	Uncoated & Hard Coated	

## Lens Geometry:

	<b>Code</b>	<b>Description</b>	<b>Dimension (mm)</b>		
	A	Nominal Diameter	72		
	B	Segment Diameter	35.0		
	C *	Segment Line Width	30.0		
	D	Segment Depth	26.5		
	E	Intermediate Band	8.0		
	F	Distance Below Datum	3.0		
	G	Inset From Datum	7.0		
* Seg dimensions vary slightly as a function of add power. Nominal value only shown.					
<b>Nominal Base</b>	<b>True Front Curve (D) (1.530)</b>	<b>Radii (mm)</b>	<b>Nominal Back Curve (D)</b>	<b>Centre Thickness (± 1.0mm)</b>	<b>Nominal Edge Thickness (mm)</b>
4.00	3.68	144.02	-6.00	<b>9.9</b>	13.0
6.00	5.92	89.53	-6.00	<b>7.9</b>	8.0
8.00	8.01	66.17	-6.00	<b>11.5</b>	8.5

Document Number: 00055.FS3	Reviewed by: Geoff Riley, 12 May 2017
For External Distribution	Page 1 of 2

# PRODUCT FACT SHEET



<b>Product Name</b>	synchrony Semi-Finished Flat-Top Trifocal 72 x 8 x 35mm 1.5
---------------------	---

**Surfacing:** Recommended centre & edge thicknesses for all regions:

Power Range (D)	USA Market Minimum Centre Thickness (mm)	Int'l Market Minimum Centre Thickness (mm)	Minimum Edge Thickness (mm)
-4.00 to -2.00	2.0	1.5	
-1.75 to +2.00	2.0 or *	2.0 or *	1.0 *
+2.25 to +4.50			1.0

\* Thicknesses are based on whichever is the limiting factor

**Product Markings:**

**Ink Markings:** None

<p><b>Front Surface Curve: Top Code Only:</b></p> <p><b>Back Surface Curve: Cast on Visible Code:</b></p>	<p><b>Recommended Base Curve Selection Chart:</b></p>
---	---

Document Number: 00055.FS3	Reviewed by: Geoff Riley, 12 May 2017
For External Distribution	Page 2 of 2



# PRODUCT FACT SHEET



<b>Product Name</b>	synchrony Semi-Finished Flat-Top Trifocal 71 x 7 x 28mm 1.523 Mineral White & Photogray Extra
---------------------	--

## Customer Product Codes

Product:	CAT Code:	LGC:	LGC Description:	Notes:	FDA:
White	061	L2027	SYNC SF T FTT28 M15 UNC ---	COO required	Yes, disclaimer required
PGX	062	L2028	SYNC SF T FTT28 M15 PH GRY UNC G--		

## Product Range:

Nominal Diameter (mm)	Nominal Base Curve (D)	Add Power Range (D)	Recommended Rx Range (D)
71	2.00	1.50 to 3.00	-7.00 to -4.25
71	4.25	1.50 to 3.00	-4.00 to -2.25
71	6.25	1.50 to 3.00	-2.00 to +2.00
71	8.25	1.50 to 3.00	+2.25 to +5.50

## Material & Coating Specifications:

Type	White Glass	PhotoGray Extra Glass
<b>Refractive Index</b>	$n_d = 1.523$ $n_e = 1.525$	$n_d = 1.523$ $n_e = 1.525$
<b>Abbe Number</b>	$v_d = 59$ $v_e = 58$	$v_d = 57$ $v_e = 57$
<b>Density</b>	2.54 g/cm <sup>3</sup>	2.41 g/cm <sup>3</sup>
<b>UV Protection (ISO)</b>	UVA : 20 %, UVB : 79 % 1.5 mm Centre Thickness	UVA : 97 %, UVB : 100 % Activated, 1.5 mm Centre Thickness
<b>Coating Type</b>	Uncoated	

## Lens Geometry:

Nominal Base	True Front Curve (1.530) (D)	True Front Radii (mm)	Nominal Back Curve (D)	Centre Thickness ( $\pm 1.0$ mm)	Nominal Edge Thickness (mm)
2.00	2.00	265	-6.00	<b>8.7</b>	13.3
4.25	4.15	127.71	-6.00	<b>8.0</b>	9.9
6.25	6.20	85.48	-6.00	<b>7.1</b>	6.3
8.25	8.17	64.87	-6.00	<b>10.0</b>	5.8

## Surfacing: Recommended centre & edge thicknesses for all regions:

Power Range (D)	Minimum Centre Thickness (mm)	Minimum Edge Thickness (mm)
-7.00 to -1.00	2.0	
-0.75 to +2.75	2.0*	1.7*
+3.00 to +5.50		1.7

\* Thicknesses are based on whichever is the limiting factor

Document Number: 0102078.FS2	Reviewed by: Geoff Riley, 02 Jun 2017
For External Distribution	Page 1 of 2

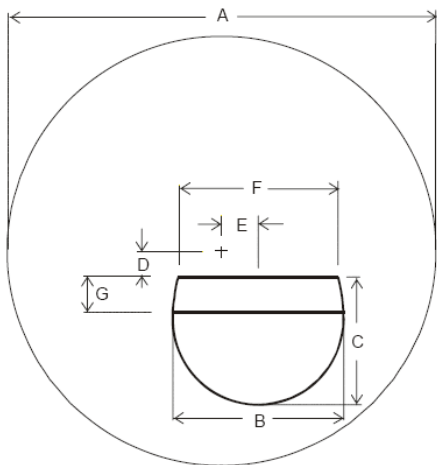
# PRODUCT FACT SHEET



**Product Name**

synchrony Semi-Finished Flat-Top Trifocal 71 x 7 x 28mm  
1.523 Mineral White & Photogray Extra

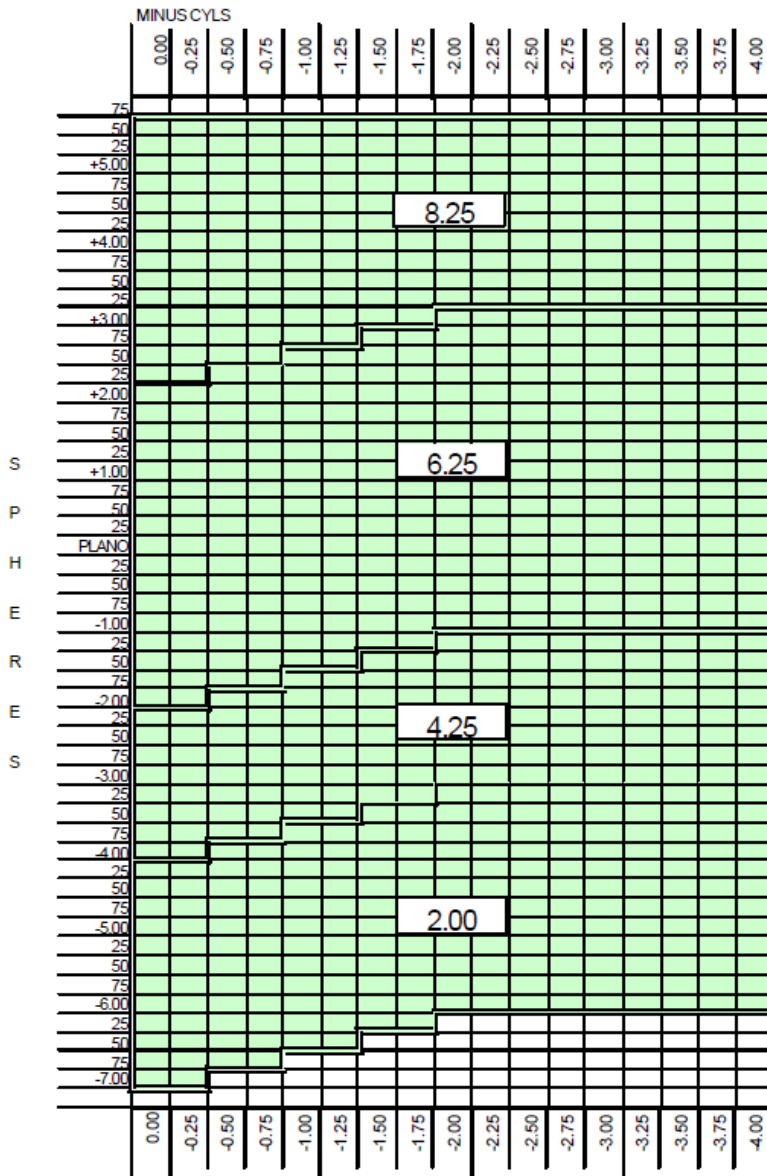
**Lens Geometry continued:**



Code	Description	Value (mm)
A	Nominal Diameter	71
B	Seg Diameter	28.0
C	Seg Depth	23.0
D	Distance Below Datum	2.5
E	Inset From Datum	7.0
F *	Seg Line Length	21.5
G	Intermediate band	7.0

\* Seg dimensions vary slightly as a function of add power. Nominal value only shown.

**Recommended Base Curve Selection Chart:**



**Product Markings:** None

Document Number: 0102078.FS2  
For External Distribution

Reviewed by: Geoff Riley, 02 Jun 2017  
Page 2 of 2